

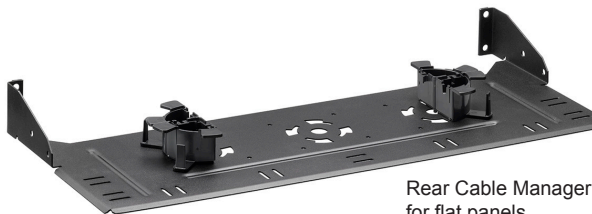
e2XHD High-Density Universal Flat Panels & Accessories

APPLICATION

The e2XHD Patching System provides a high-density solution for enterprise and data centre applications where fast deployment and simple maintenance are priorities. Cassettes quickly snap-in and pull out of 1RU panels, making installation, moves, adds, and changes easier than ever. A rear cable manager is available to support incoming fibre and copper cables, and blank cassettes snap into the rear of panels to block any unused openings. Copper cassettes are available either on pre-terminated trunks or with field-terminated connectors. Fibre cassettes are pre-terminated.



e2XHD Flat Panel - 1RU



Rear Cable Manager for flat panels



Blank Cassette

e2XHD Label Kit

SPECIFICATION

Panels shall be constructed of 20-gauge steel with a black powder-coated finish. Port identification shall be included. Panels shall accept shielded, unshielded, and fibre e2XHD cassettes, and hold up to 48 duplex fibre channels or 48 copper ports in a 1RU space. Copper and fibre cassettes shall snap into the rear of the panel and shall require no tools to remove.

FEATURES

- Panels allow mix-and-match of shielded, unshielded, and fibre e2XHD cassettes
- Alignment tabs ensure upright insertion of cassettes
- To remove cassettes from panel, simply pull out handle using release latch
- Rear Cable Manager supports incoming copper or fibre cables and includes cable management rings
- Blank cassette available for unused cassette openings

DESIGN CONSIDERATIONS

- Rear cable manager sold separately from panel
- Panels mount on standard 19-inch cabinet
- Cable clamp mounting kits are available to provide strain relief for incoming fibre trunk cables
- When routing copper cable, one Rear Cable Manager is recommended for every 2RU of panel to allow for better rear access
- Panels include M5 cage nuts and screws, as well as appropriate parts for bonding panels to cabinets

PHYSICAL SPECIFICATIONS

Dimensions: See page two

Material: 20-gauge steel, powder-coated black

Capacity: 1RU: 48 duplex fibre channels or 48 copper ports
 1RU: Accepts up to 8 copper and/or fibre cassettes (12-fibre LC-MTP®, 24-fibre MTP-MTP), or 4 24-fibre LC-MTP cassettes

COUNTRY OF ORIGIN

USA: E2XHD-BLK, E2XHD-LBL

Mexico: E2X1A-CMB, E2XHD-COV

Taiwan: E2X1F-E48

WARRANTY INFORMATION

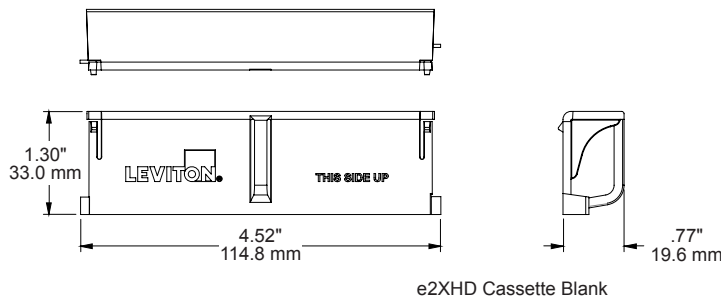
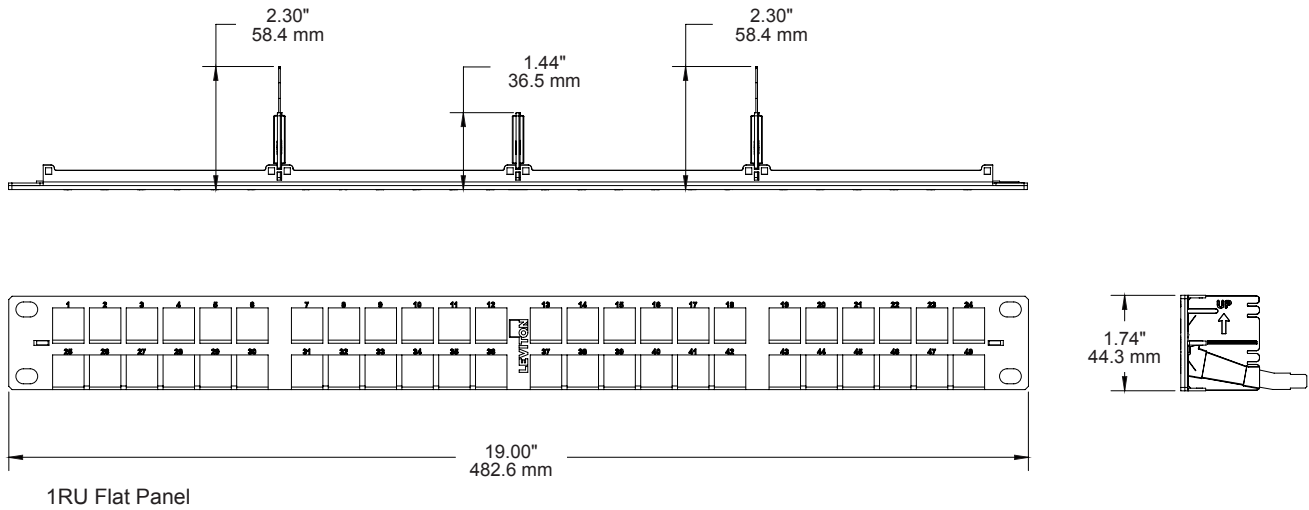
For a copy of Leviton product warranties, visit www.leviton.com/warranty.

| | | | | | |
|---|---|--|--|---|--|
| Leviton Network Solutions 2222 - 222nd St. SE Bothell, WA 98021-4416 tel 1-800-824-3005 tel +1-425-486-2222 appeng@leviton.com www.leviton.com | Asia / Pacific T +1.631.812.6228 E infoasean@leviton.com | Canada T +1.514.954.1840 E pcservice@leviton.com | Caribbean T +1.954.593.1896 E infocaribbean@leviton.com | China T +852.2774.9876 E infochina@leviton.com | Colombia T +57.1.743.6045 E infocolombia@leviton.com |
| | Europe T +44.0.1592.772124 E customerservice@brand-rex.com | India / SAARC T +971.4.886.4722 E infoindia@leviton.com | Mexico T +52.55.5082.1040 E Isamarketing@leviton.com | Middle East & Africa T +971.4.886.4722 E lmeinfo@leviton.com | South Korea T +82.2.3273.9963 E infokorea@leviton.com |

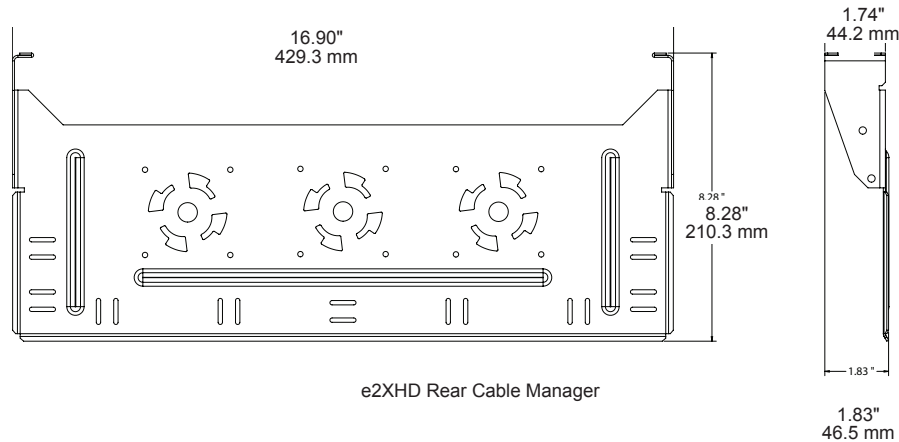
ELECTRONIC FILES

For CAD files, typical specs, or technical drawings (.DXF, .DWG), visit www.leviton.com.

E2X1F-E48, E2XHD-BLK, E2X1F-CMB, E2XHD-LBL



| | | | | | |
|---|---|--|--|---|--|
| Leviton Network Solutions 2222 - 222nd St. SE Bothell, WA 98021-4416 tel 1-800-824-3005 tel +1-425-486-2222 appeng@leviton.com www.leviton.com | Asia / Pacific T +1.631.812.6228 E infoasean@leviton.com | Canada T +1.514.954.1840 E pcservice@leviton.com | Caribbean T +1.954.593.1896 E infocaribbean@leviton.com | China T +852.2774.9876 E infochina@leviton.com | Colombia T +57.1.743.6045 E infocolombia@leviton.com |
| | Europe T +44.0.1592.772124 E customerservice@brand-rex.com | India / SAARC T +971.4.886.4722 E infoindia@leviton.com | Mexico T +52.55.5082.1040 E lsamarketing@leviton.com | Middle East & Africa T +971.4.886.4722 E lmeinfo@leviton.com | South Korea T +82.2.3273.9963 E infokorea@leviton.com |



E2X1F-E48, E2XHD-BLK, E2X1F-CMB, E2XHD-LBL

e2XHD PATCHING SYSTEM

| Description | Part No. |
|--|-----------|
| e2XHD 1RU High-Density Universal Flat Panel, accepts shielded, unshielded, and fibre cassettes | E2X1F-E48 |
| e2XHD Rear Cable Manager for flat panels, includes four 1/4" round cable management rings | E2X1F-CMB |
| e2XHD Cassette Blank | E2XHD-BLK |
| e2XHD Label Kit | E2XHD-LBL |

e2XHD RELATED PRODUCTS

| Description | Part No. |
|--|-----------|
| Universal 0RU Patch Cord Cable Manager (bag of 2) | 5RCMT-VFG |
| Universal 1RU Patch Cord Cable Manager Tray | 5R1UX-CMT |
| Universal 2RU Patch Cord Cable Manager Tray | 5R2UX-CMT |
| Universal Opt-X® Clamp Kit, single cable grommet (mounts to Rear Cable Manager) | 5RCMP-KIT |
| Universal Opt-X Clamp Kit, multiple cable grommet (mounts to Rear Cable Manager) | 5RCMP-KT2 |
| Universal Clamp Kit, single and multiple cable grommet (for rack mounting) | 5RCMR-KIT |



| | | | | | |
|---|---|--|--|---|--|
| Leviton Network Solutions 2222 - 222nd St. SE Bothell, WA 98021-4416 tel 1-800-824-3005 tel +1-425-486-2222 appeng@leviton.com www.leviton.com | Asia / Pacific T +1.631.812.6228 E infosean@leviton.com | Canada T +1.514.954.1840 E pcservice@leviton.com | Caribbean T +1.954.593.1896 E infocaribbean@leviton.com | China T +852.2774.9876 E infochina@leviton.com | Colombia T +57.1.743.6045 E infocolombia@leviton.com |
| | Europe T +44.0.1592.772124 E customerservice@brand-rex.com | India / SAARC T +971.4.886.4722 E infoindia@leviton.com | Mexico T +52.55.5082.1040 E Isamarketing@leviton.com | Middle East & Africa T +971.4.886.4722 E lmeinfo@leviton.com | South Korea T +82.2.3273.9963 E infokorea@leviton.com |