

## Atlas-X1™ Cat 8 Patch Cords

### APPLICATION

Atlas-X1 Cat 8 Shielded Patch Cords support 25GBASE-T networks. The patch cords provide superior alien crosstalk (AXT) suppression and protect critical data from potential EMI/RFI (electromagnetic interference/radio frequency interference). They are part of a complete Atlas-X1 Cat 8 shielded system designed to support next generation BASE-T data center networks.



### SPECIFICATION

Patch cords shall meet or exceed all requirements for Category 8 requirements described in ANSI/TIA-568-C.2-1, as well as Class I requirements described in ISO/IEC 11801. Patch cords shall be available in standard lengths of 0.5, 1, 2, 3, 4, and 5 meters. The cable jacket shall have both a low-smoke zero-halogen and CMR flame rating, and shall be available in grey. The patch cord plug shall have industry-standard ANSI/TIA-1096-A compliant 50 micro inches of gold plating.

### PHYSICAL SPECIFICATIONS

Available Lengths: See page two  
Outer Diameter (O.D.): 6.2 mm (0.24")  
Materials: 26-gauge, S/FTP solid conductor  
Operating Temperature: 0°C to 50°C at 93% relative humidity, non condensing

### FEATURES

- Snagless plug release design prevents tab breakage
- Integrated strain-relief ensures long-term network performance
- Cable construction provides excellent alien crosstalk suppression and EMI/RFI protection
- Outside diameter of 6.2 millimeters supports easier cable management
- Ideal for applications where low-smoke zero-halogen or riser materials are required

### DESIGN CONSIDERATIONS

- Optimized for use as part of the Leviton Atlas-X1 Cat 8 System
- Robust die-cast plug housing provides excellent alien crosstalk suppression and EMI/RFI protection for reliable performance at frequencies up to 2 GHz
- 0.5-meter cords are intended for direct-attach cable applications, and channel configurations should use patch cords between 1- and 5-meter lengths

### STANDARDS COMPLIANCE

- ANSI/TIA-568-C.2-1
- ISO/IEC 11801 Class I
- IEC 60332-1-2
- IEC 61034-1 and 2
- cULus listed
- ANSI/TIA-1096-A (formerly FCC Part 68)
- IEEE 802.3at (Type 1) Power over Ethernet (PoE) up to 15.4 watts
- IEEE 802.3at (Type 2) PoE+ up to 30 watts
- IEEE Draft 802.3bt (Type 3) PoE+ up to 60 watts
- IEEE Draft 802.3bt (Type 4) PoE+ up to 100 watts — maximum cable bundle limit of 100 cables
- Cisco Universal Power Over Ethernet (UPOE) applications up to 60 watts
- Power over HDBaseT™ (PoH) applications up to 100 watts

### COUNTRY OF ORIGIN

United Kingdom

### WARRANTY INFORMATION

**Note:** Limited Product and Limited Extended Warranties are rendered VOID if the installed structured cabling system is used for PoE applications that exceed the product's specified power rating.

For a copy of Leviton product warranties, visit [www.leviton.com/warranty](http://www.leviton.com/warranty).

#### Leviton Network Solutions

2222 - 222nd St. SE  
Bothell, WA 98021-4416

tel 1-800-824-3005  
tel +1-425-486-2222  
appeng@leviton.com  
[www.leviton.com](http://www.leviton.com)

#### Asia / Pacific

T +1.631.812.6228  
E infoasean@leviton.com

#### Europe

T +44.0.1592.772124  
E customerservice@brand-rex.com

#### Canada

T +1.514.954.1840  
E pcservice@leviton.com

#### India / SAARC

T +971.4.886.4722  
E infoindia@leviton.com

#### Caribbean

T +1.954.593.1896  
E infocaribbean@leviton.com

#### Mexico

T +52.55.5082.1040  
E lsamarketing@leviton.com

#### China

T +852.2774.9876  
E infochina@leviton.com

#### Middle East & Africa

T +971.4.886.4722  
E lmeinfo@leviton.com

#### Colombia

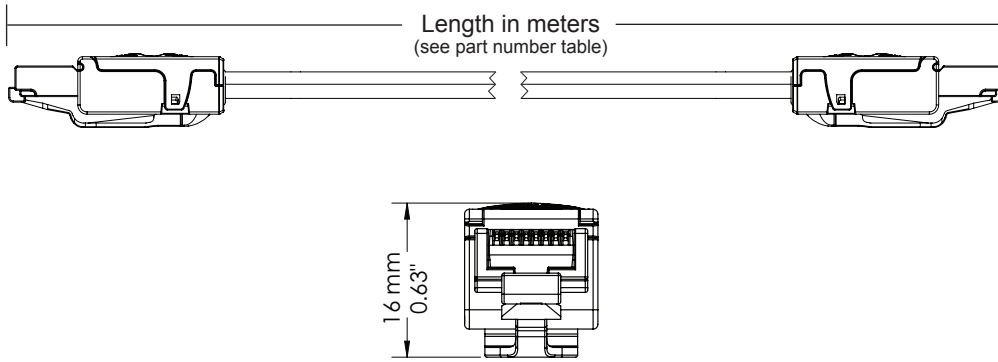
T +57.1.743.6045  
E infocolombia@leviton.com

#### South Korea

T +82.2.3273.9963  
E infokorea@leviton.com

**ELECTRONIC FILES**

For CAD files, typical specs, or technical drawings (.DXF, .DWG), visit [www.leviton.com](http://www.leviton.com).



**81Z10-Sxx**

**PART NUMBERS**

Description	Part No.
Atlas-X1™ Cat 8 Patch Cord, CMR/LSZH, Grey, 0.5-meter length*	81Z10-SD5
Atlas-X1 Cat 8 Patch Cord, CMR/LSZH, Grey, 1-meter length	81Z10-S01
Atlas-X1 Cat 8 Patch Cord, CMR/LSZH, Grey, 2-meter length	81Z10-S02
Atlas-X1 Cat 8 Patch Cord, CMR/LSZH, Grey, 3-meter length	81Z10-S03
Atlas-X1 Cat 8 Patch Cord, CMR/LSZH, Grey, 4-meter length	81Z10-S04
Atlas-X1 Cat 8 Patch Cord, CMR/LSZH, Grey, 5-meter length	81Z10-S05

\* 0.5-meter cords are intended for direct-attach cable applications. Channel configurations should use patch cords between 1- and 5-meter lengths.



<b>Leviton Network Solutions</b> 2222 - 222nd St. SE Bothell, WA 98021-4416  tel 1-800-824-3005 tel +1-425-486-2222 <a href="mailto:appeng@leviton.com">appeng@leviton.com</a> <a href="http://www.leviton.com">www.leviton.com</a>	<b>Asia / Pacific</b> T +1.631.812.6228 E <a href="mailto:infoasean@leviton.com">infoasean@leviton.com</a>	<b>Canada</b> T +1.514.954.1840 E <a href="mailto:pcservice@leviton.com">pcservice@leviton.com</a>	<b>Caribbean</b> T +1.954.593.1896 E <a href="mailto:infocaribbean@leviton.com">infocaribbean@leviton.com</a>	<b>China</b> T +852.2774.9876 E <a href="mailto:infochina@leviton.com">infochina@leviton.com</a>	<b>Colombia</b> T +57.1.743.6045 E <a href="mailto:infocolombia@leviton.com">infocolombia@leviton.com</a>
	<b>Europe</b> T +44.0.1592.772124 E <a href="mailto:customerservice@brand-rex.com">customerservice@brand-rex.com</a>	<b>India / SAARC</b> T +971.4.886.4722 E <a href="mailto:infoindia@leviton.com">infoindia@leviton.com</a>	<b>Mexico</b> T +52.55.5082.1040 E <a href="mailto:lsamarketing@leviton.com">lsamarketing@leviton.com</a>	<b>Middle East &amp; Africa</b> T +971.4.886.4722 E <a href="mailto:lmeinfo@leviton.com">lmeinfo@leviton.com</a>	<b>South Korea</b> T +82.2.3273.9963 E <a href="mailto:infokorea@leviton.com">infokorea@leviton.com</a>