

# Cat6Plus Universal Screened Outlet

Datasheet: GD055431v4

**Brand-Rex** | a **LEVITON** company

## APPLICATION

The Brand Rex CAT6Plus Universal Screened Outlet offers true Category 6 component performance. The outlets unique design allows for cable entry, from either a horizontal or vertical direction. The faceplate/outlets are designed to meet the “Rutenbeck” standard, giving the customer greater choice in faceplate design. The outlet can be supplied with a White or Ivory faceplate and can also be supplied as a single or double port version. Each outlet is supplied with cable clamps, removable label, label cover and a short form installation instruction.

## FEATURES

- Compliant with Cat6 Standards
- 2500 patchcord insertion/removals
- Robust design
- Horizontal or vertical cable entry
- White (RAL9010) or Ivory (RAL1013) faceplate options available
- Can fit a variety of custom faceplate designs

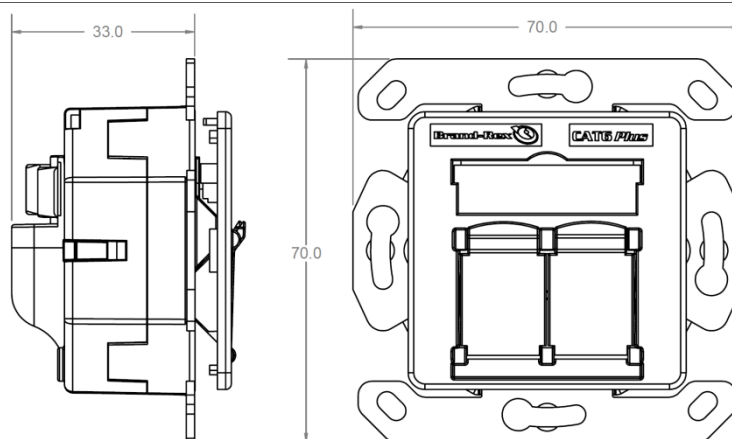


**C6CG245SU002 (18879NB)**

## ORDER INFO

Brand-Rex Part Number	Item Description	Faceplate Colour	Weight per Item (nom)	Qty per Pack
C6CG245SU000 (18879N1)	CAT6Plus Screened Universal Outlet Double Port	No faceplate	130g	5
C6CG245SU001 (18879NA)	CAT6Plus Screened Universal Outlet Double Port	Ivory, RAL1013	130g	5
C6CG245SU002 (18879NB)	CAT6Plus Screened Universal Outlet Double Port	White, RAL9010	130g	5
C6CG145SU000 (18870N1)	CAT6Plus Screened Universal Outlet Single Port	No faceplate	130g	5
C6CG145SU001 (18870NA)	CAT6Plus Screened Universal Outlet Single Port	Ivory, RAL1013	130g	5
C6CG145SU002 (18870NB)	CAT6Plus Screened Universal Outlet Single Port	White, RAL9010	130g	5

## PHYSICAL CHARACTERISTICS



## APPLICABLE PRODUCT STANDARDS

- ISO/IEC category: Category 6 performance connector for use in Class E cabling systems
- ISO/IEC 11801 ed 2.2 (2011)
- IEC 60603-7, -7-1 and -7-51
- EIA/TIA 568C series: Category 6 performance

## ENVIRONMENTAL CONDITIONS

- Operating temperature from -10°C to 60°C at 93% relative humidity, non-condensing
- Storage temperature from -40°C to 70°C

## ELECTRICAL CHARACTERISTICS

- Voltage Proof: 1500V dc / ac peak
- Current-temperature derating: compliant with IEC 60603-7
- Contact Resistance: <20mΩ
- Insulation Resistance: >500MΩ
- Coupling attenuation: >61dB

## MECHANICAL SPECIFICATION

- Repeat plug insertions: >750 mating cycles with an IEC 60603-7 compliant plug  
Product tested to 2500 insertion cycles
- Wiring: T568 A and B wiring types
- Note that each product pack contains a full installation instruction.

## REGULATIONS & COMPLIANCE

- RoHS 2011/65/EU Compliant

*“Brand-Rex is dedicated to designing, developing and manufacturing sustainable high performance structured cabling and speciality cabling solutions”*

The information contained in this document is valid and correct at the time of issue. Brand-Rex reserves the right to modify details without notice in light of subsequent standard/specification changes and ongoing technical developments.