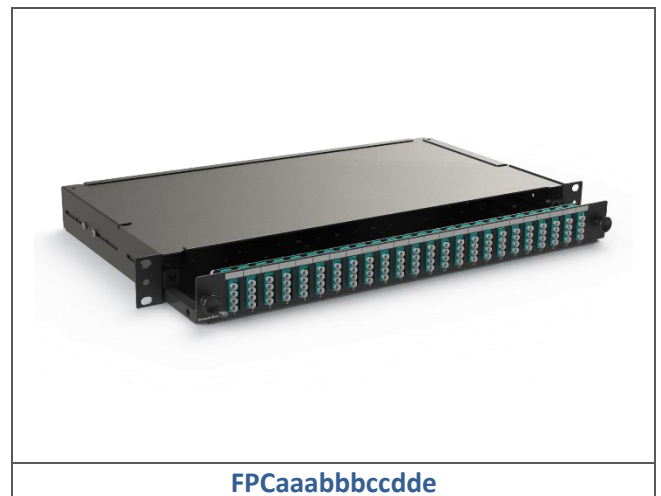


## APPLICATION

The FibrePlus 1U 19" fibre optic patch panels have been designed to optimise both the internal fibre management but also to add greater fibre density. Constructed from mild steel with a powder coated paint finish the panels are available in black or grey. The patch panels offer a flexible and highly versatile solution for optical splicing and patching. The panel's shallow depth allows it to be installed within the majority of standard racks and wall mounted enclosures. The integrated design features ensure that once installed panels can be readily re-configured to accommodate the changing needs of today's high speed networks.

## FEATURES

- Sliding tray for easy access complete with quick release fastenings
- Adjustable adapter position
- Light weight to reduce stress on rack mounting rails
- Suitable for mounting in shallow enclosures due to the adjustable mounting brackets allowing minimum depth of 237mm
- Slotted glanding holes for easy cable installation
- Rear panel offers a choice of apertures to suit a variety of glanding arrangements or if unsuitable customisable with the addition of adapter plates
- Raised slots in the panel base allow for customised fibre management configurations and additional securing for incoming cables
- Front panel includes a port identification strip
- Additional adapter blanking plugs are available on request
- Suitable for both Blolite & conventional fibre cables



## UNLOADED PANEL ORDER INFO

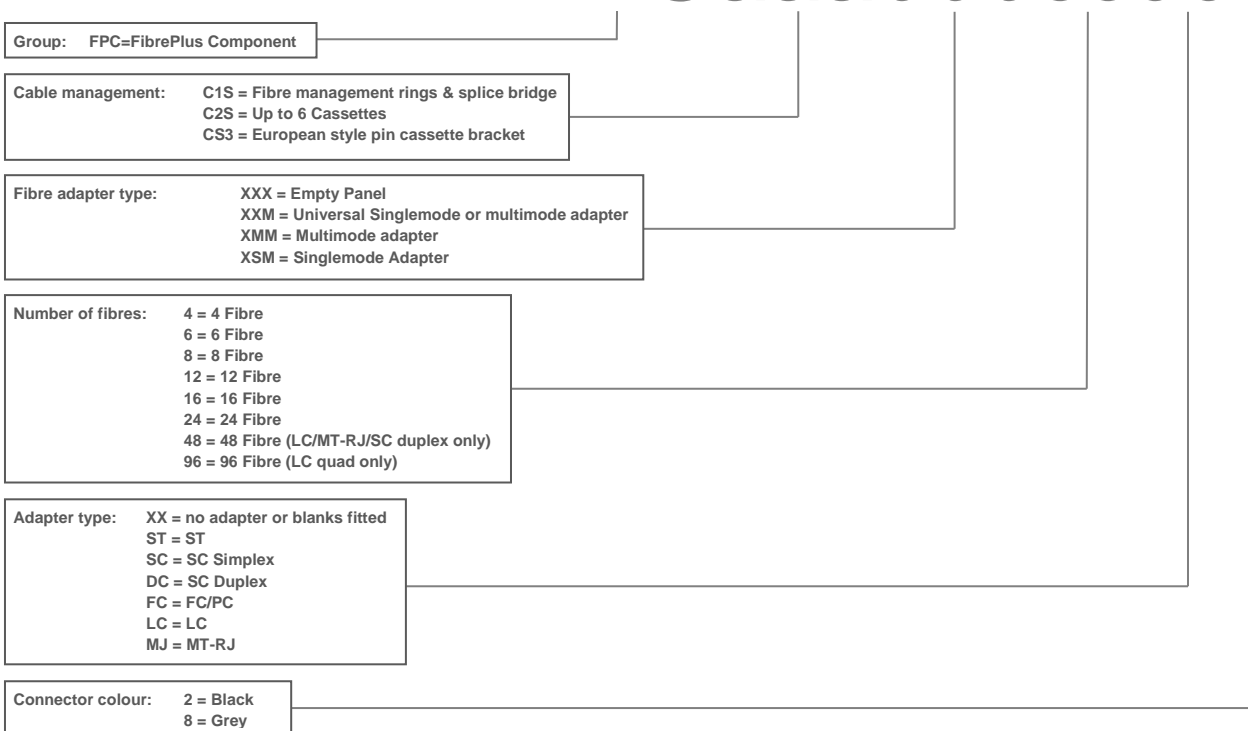
Brand-Rex Part Number	Description	Colour	Weight
FPCC1SXXX24ST2	Unloaded Optical Patch Panel for up to 24 ST or FC Adaptors	Black	3.0kg
FPCC1SXXX24DC2	Unloaded Optical Patch Panel for up to 12 SC Duplex or LC Quad Adaptors	Black	3.0kg
FPCC1SXXX48DC2	Unloaded Optical Patch Panel for up to 24 SC Duplex or LC Quad Adaptors	Black	3.0kg
FPCC1SXXX48SC2	Unloaded Optical Patch Panel for up to 24 SC Simplex, MT-RJ or LC Duplex Adaptors	Black	3.0kg

## LOADED PANEL ORDER INFO

Description	4 Adapter	6 Adapter	8 Adapter	12 Adapter	16 Adapter	24 Adapter
ST Singlemode	FPCC1SXSM04ST2	FPCC1SXSM06ST2	FPCC1SXSM08ST2	FPCC1SXSM12ST2	FPCC1SXSM16ST2	FPCC1SXSM24ST2
ST Multimode	FPCC1SXMM04ST2	FPCC1SXMM06ST2	FPCC1SXMM08ST2	FPCC1SXMM12ST2	FPCC1SXMM16ST2	FPCC1SXMM24ST2
FC Singlemode	FPCC1SXSM04FC2	FPCC1SXSM06FC2	FPCC1SXSM08FC2	FPCC1SXSM12FC2	FPCC1SXSM16FC2	FPCC1SXSM24FC2
SC Duplex Singlemode	FPCC1SXSM08DC2	FPCC1SXSM08DC2	FPCC1SXSM16DC2	FPCC1SXSM24DC2	FPCC1SXSM32DC2	FPCC1SXSM48DC2
SC Duplex Multimode	FPCC1SXMM08DC2	FPCC1SXMM12DC2	FPCC1SXMM16DC2	FPCC1SXMM24DC2	FPCC1SXMM32DC2	FPCC1SXMM48DC2
SC Simplex Singlemode	FPCC1SXSM04SC2	FPCC1SXSM06SC2	FPCC1SXSM08SC2	FPCC1SXSM12SC2	FPCC1SXSM16SC2	FPCC1SXSM24SC2
SC Simplex Multimode	FPCC1SXMM04SC2	FPCC1SXMM06SC2	FPCC1SXMM08SC2	FPCC1SXMM12SC2	FPCC1SXMM16SC2	FPCC1SXMM24SC2
MT-RJ Duplex	FPCC1XXM08MJ2	FPCC1XXM12MJ2	FPCC1XXM16MJ2	FPCC1XXM24MJ2	FPCC1XXM32MJ2	FPCC1XXM48MJ2
LC Duplex Singlemode	FPCC1SXSM08LC2	FPCC1SXSM12LC2	FPCC1SXSM16LC2	FPCC1SXSM24LC2	FPCC1SXSM32LC2	FPCC1SXSM48LC2
LC Duplex Multimode	FPCC1SXMM08LC2	FPCC1SXMM12LC2	FPCC1SXMM16LC2	FPCC1SXMM24LC2	FPCC1SXMM32LC2	FPCC1SXMM48LC2
LC Quad Singlemode	-	-	-	-	-	FPCC1SXSM96LC2
LC Quad Multimode	-	-	-	-	-	FPCC1SXMM96LC2

## PART NUMBER BREAKDOWN

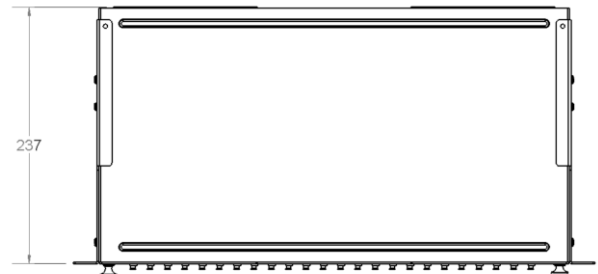
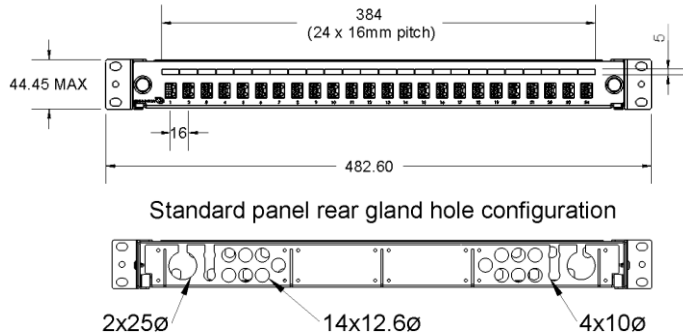
# FPCaaabbbccdde



# FibrePlus Optical Patch Panel

Datasheet: GD061973v5

## PHYSICAL CHARACTERISTICS



## MATERIALS

- Chassis – Powder Coated Steel

## PRODUCT PACKAGING

- Panels are individually boxed complete with the internal cable management kit as standard.

## ACCESSORIES KIT (SUPPLIED WITH PANEL)

Part	Panel		
	24 Fibre Panel	48 Fibre Panel	96 Fibre Panel
	<b>Part Quantity</b>		
Adhesive management rings	8	8	8
Laser warning label	1	1	1
24 way stackable splice bridges	1	2	4
Splice bridge cover	1	1	2
Adhesive splice bridge mounting pad	1	1	1
M25 glands & lock nuts for cable Ø8 -13mm	1	2	2
M10 glands & lock nuts for cable Ø3 -7mm	1	0	0
M3 screw & nut for alternate splice bridge mounting	1	1	1

*“Brand-Rex is dedicated to designing, developing and manufacturing sustainable high performance structured cabling and speciality cabling solutions”*

The information contained in this document is valid and correct at the time of issue. Brand-Rex reserves the right to modify details without notice in light of subsequent standard/specification changes and ongoing technical developments.