

APPLICATION

HI-DEX product range includes additional accessory panels which extend the use of HI-DEX beyond traditional U-based racks.

Zero-U Side-Rack Consolidation Points allow either one or three HI-DEX cassettes to be mounted alongside active equipment to provide patching without the need to sacrifice an entire U of rack space.

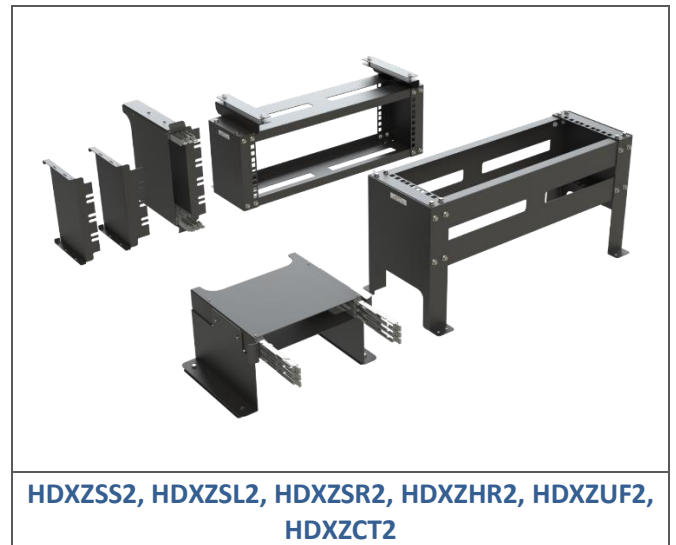
Cable Tray Consolidation Points can be mounted underneath or above most basket-type cable trays to provide inline patching for up to three HI-DEX cassettes.

3U Hanging Rack Frames provides 3U of 19" rack space which can be suspended from racking or cable trays and will accommodate any standard sized 19" panel up to 3U in height in addition to the HI-DEX 1U panel. Panels are mounted horizontally within the 3U Hanging Rack.

3U Under-Floor Frames provides 3U of 19" rack space which can be mounted under floors and will accommodate any standard sized 19" panel up to 3U in height in addition to the HI-DEX 1U panel. Panels are mounted vertically within the 3U Under-Floor Rack.

FEATURES & BENEFITS

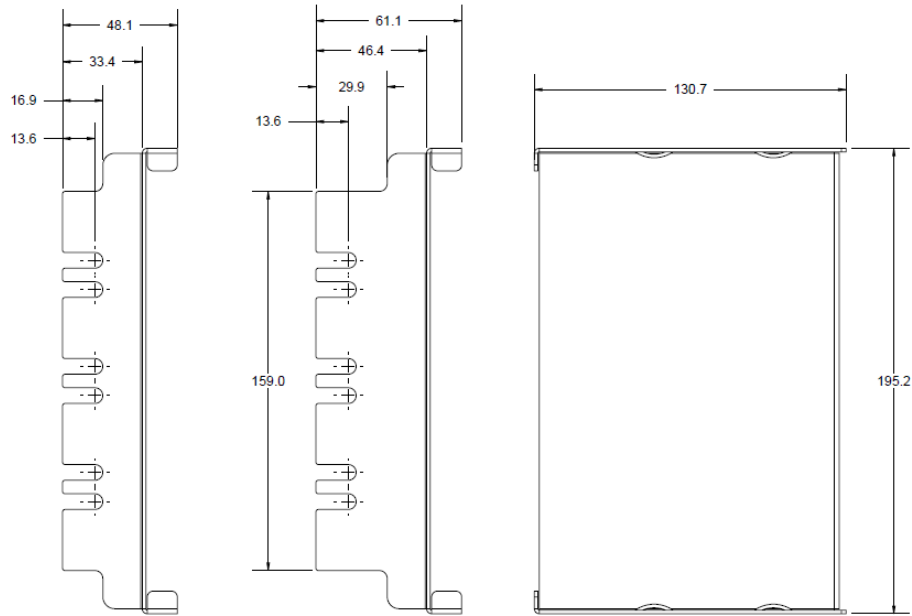
- Add patching space without sacrificing a U of rack space
- Easy installation with front and rear loading of cassettes



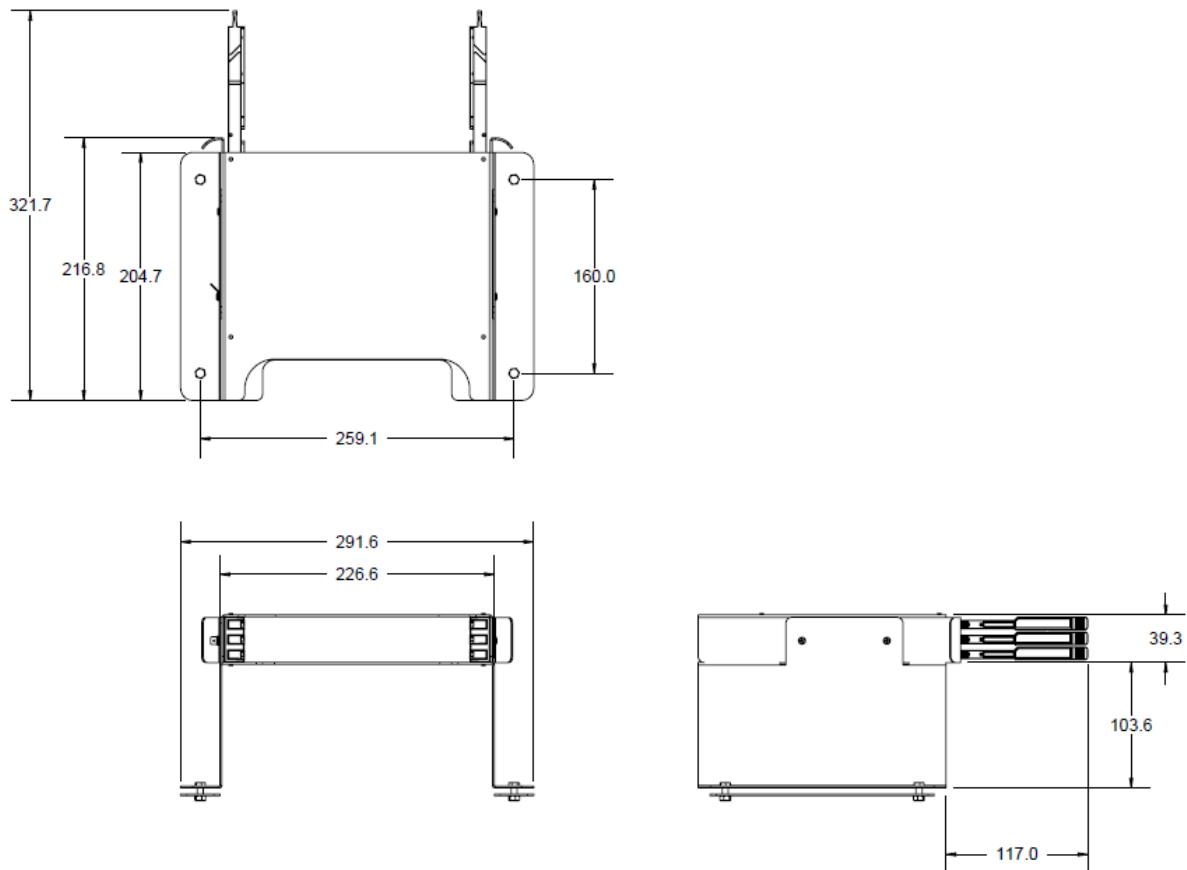
ORDER INFO

| Brand-Rex Part Number | Item Description | Colour | Weight per Item (nom) | Qty per Pack |
|-----------------------|--|--------|-----------------------|--------------|
| HDXZSS2 | HI-DEX Single Side Mount Consolidation Point Short | Black | 390g | 1 |
| HDXZSL2 | HI-DEX Single Side Mount Consolidation Point Long | Black | 410g | 1 |
| HDXZSR2 | HI-DEX Triple Side Mount Consolidation Point | Black | 1.5kg | 1 |
| HDXZCT2 | HI-DEX Cable Tray Consolidation Point | Black | 2.1kg | 1 |
| HDXZHR2 | HI-DEX HDX 3U Hanging Rack Frame | Black | 3.4kg | 1 |
| HDXZUF2 | HI-DEX HDX 3U Under Floor Frame | Black | 4.3kg | 1 |

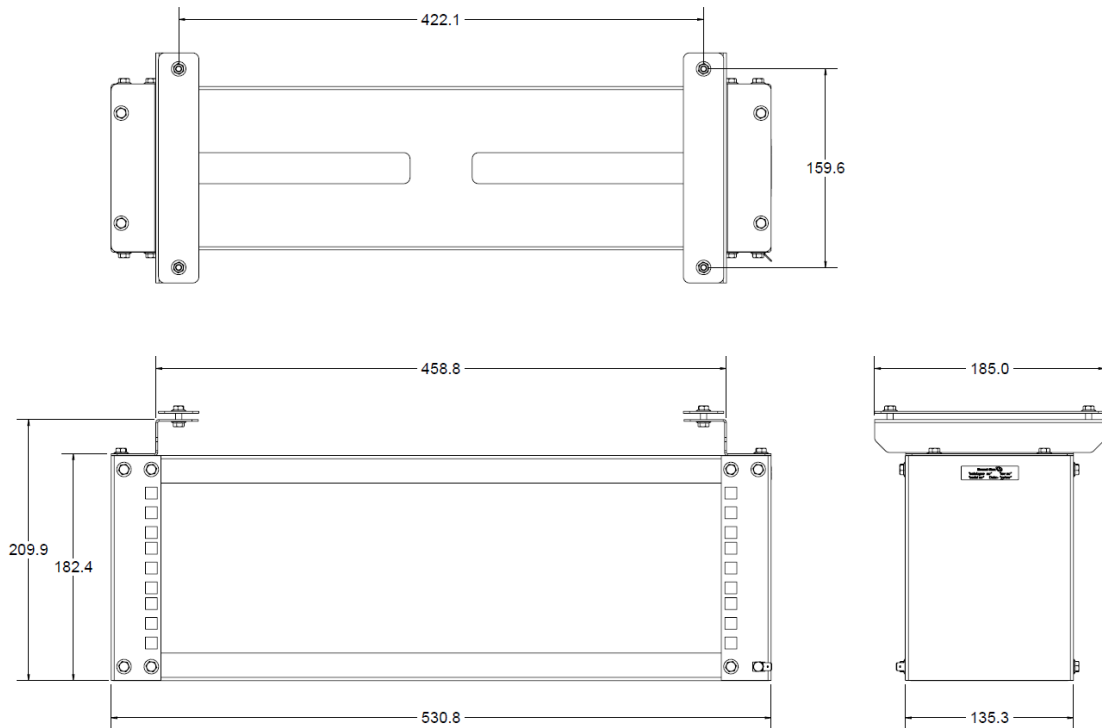
SINGLE SIDE MOUNT CONSOLIDATION POINT SHORT AND LONG PHYSICAL CHARACTERISTICS



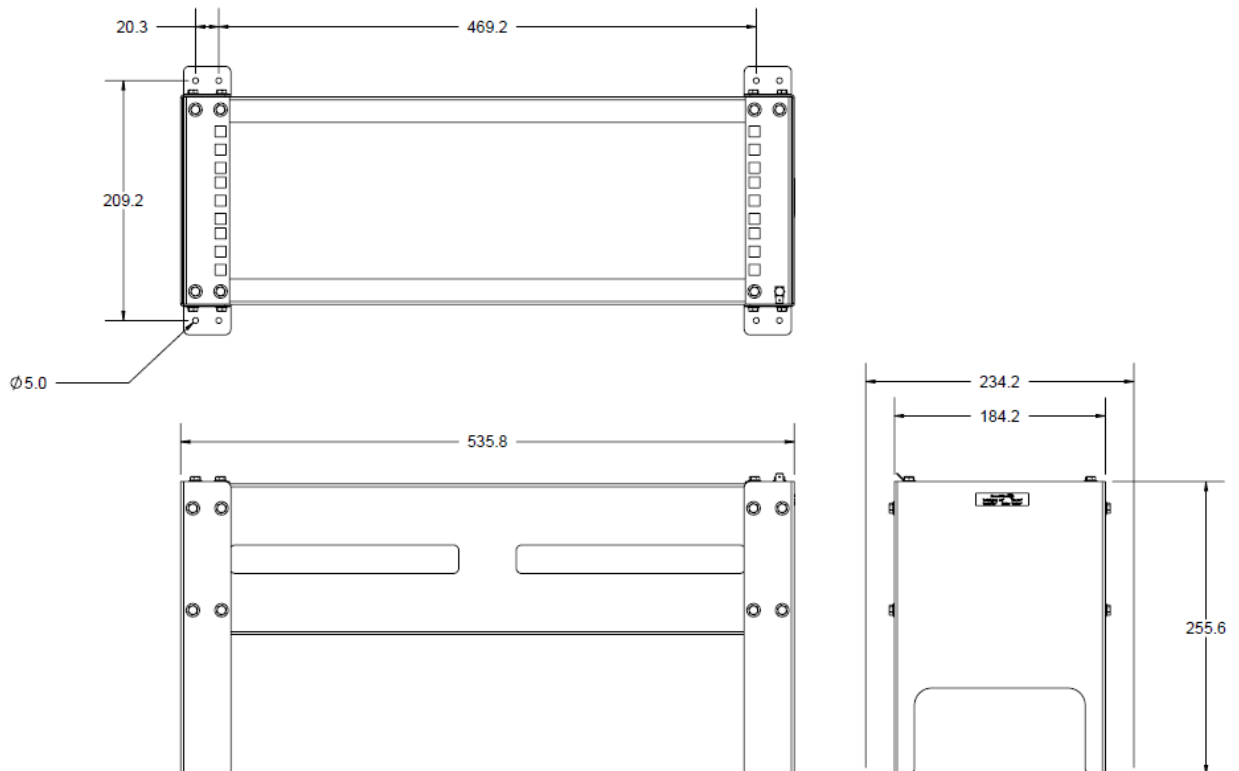
CABLE TRAY CONSOLIDATION POINT PHYSICAL CHARACTERISTICS



3U HANGING RACK FRAME PHYSICAL CHARACTERISTICS



3U UNDER FLOOR FRAME PHYSICAL CHARACTERISTICS



MATERIALS

- Side Rack Consolidation Point: Powder coated mild steel frame
- Cable Tray Consolidation Point: PC ABS fingers with a powder coated mild steel frame
- 3U Hanging Rack Frame: Powder coated mild steel frame
- 3U Under Floor Frame: Powder coated mild steel frame

*“Leviton is **dedicated to designing, developing and manufacturing** sustainable **high performance** structured cabling and speciality **cabling solutions**”*

The information contained in this document is valid and correct at the time of issue. Leviton reserves the right to modify details without notice in light of subsequent standard/specification changes and ongoing technical developments.