

## Opt-X® 1000i Rack-Mount Enclosures

### 1RU, 2RU, 3RU, & 4RU

#### APPLICATION

The Opt-X 1000i Rack-Mount Enclosure allows for inter-connect or cross-connect between backbone cable and active equipment while using minimum rack space in a frame or cabinet setting. The enclosure's features and design allow for easy field termination of connectors, splicing, or pre-terminated plug-n-play solutions. The fiber enclosure is primarily used in data centers, equipment rooms, and telecommunication rooms.



#### SPECIFICATION

Fiber enclosure shall be available in 1RU, 2RU, 3RU, and 4RU versions to accommodate termination and splicing of fiber. A removable sliding tray shall also be available in 1RU and 2RU enclosures. Adapter bulkhead shall accept SC, LC, ST, and MTP® adapters, and plug-n-play MTP cassettes. 4RU enclosures shall accommodate up to 15 adapter plates for 360 fiber connections. Fiber cable management for routing, storage, and protection shall accept patch cords, tight-buffer fiber, and backbone cables. Rear fiber cable management rings shall be stackable and configurable in quarter-, half-, or full-ring arrangements. Enclosure shall be constructed of 16-gauge steel with a powder-coated black finish and be mountable in either a 19-inch or 23-inch rack or cabinet frame. An optional locking door feature shall be available. Country of origin for product shall be United States of America.

#### FEATURES

- 15-inch depth for high-density fiber termination and/or splicing
- Stackable and adjustable fiber rings simplify cable organization
- Front saddles pivot for improved patch cord routing
- Removable front and rear covers offer better access to the interior of the enclosure
- Removable rubber grommet allows for pre-terminated fiber trunk install, protects cable, and minimizes dust build-up
- Sliding tray (an option in 1RU and 2RU enclosures) glides forward and backward for front and rear bulkhead access after installation, and removes completely from enclosure for ease of field terminations and splicing
- Constructed of 16-gauge steel, powder-coated black
- 1RU or 2RU Retrofit Sliding Trays, sold separately, allow for higher-density applications using HDX MTP® Cassettes or HDX Adapter Plates (sliding tray does not accommodate splice trays)
- Convert to HDX cassettes or adapter plate using conversion bracket (sold separately)

#### DESIGN CONSIDERATIONS

- Accepts Opt-X adapter plates and/or cassettes
- Optional cable strain-relief mounting kit (for installation on side of enclosure or on rack post)
- 19-inch or 23-inch enclosure rack-mount option (23-inch 1RU mounting bracket sold separately)
- Protrudes 4.5 inches from mounting ears to align with Leviton Versi-Duct® Cable Management System
- Capable of storing up to 3 meters of 900 µm tight-buffered fiber per adapter
- Adapter plate on 3RU/4RU orients horizontally or vertically for optimal density
- Door lock option available on front, rear, or both
- Enclosures are sold empty (unloaded), and can be pre-configured to customer specifications (see page three)
- Enclosure includes an accessory kit consisting of cable ties, mounting screws, ID label, and spiral wrap (for cable protection on units with a sliding tray)

#### STANDARDS COMPLIANCE

Meets or exceeds all ANSI/TIA-568-C.3 requirements

#### PHYSICAL SPECIFICATIONS

**Capacity and dimensions:** See page two.

**Materials:** Constructed of 16-gauge steel, powder-coated black. Plastic parts made using self-extinguishing ABS and polycarbonate materials rated UL 94V-2. Grommet material made of Santoprene®, a thermoplastic rubber elastomer.

**PRODUCT SPECIFICATIONS**  
**5RxUM-xxx**

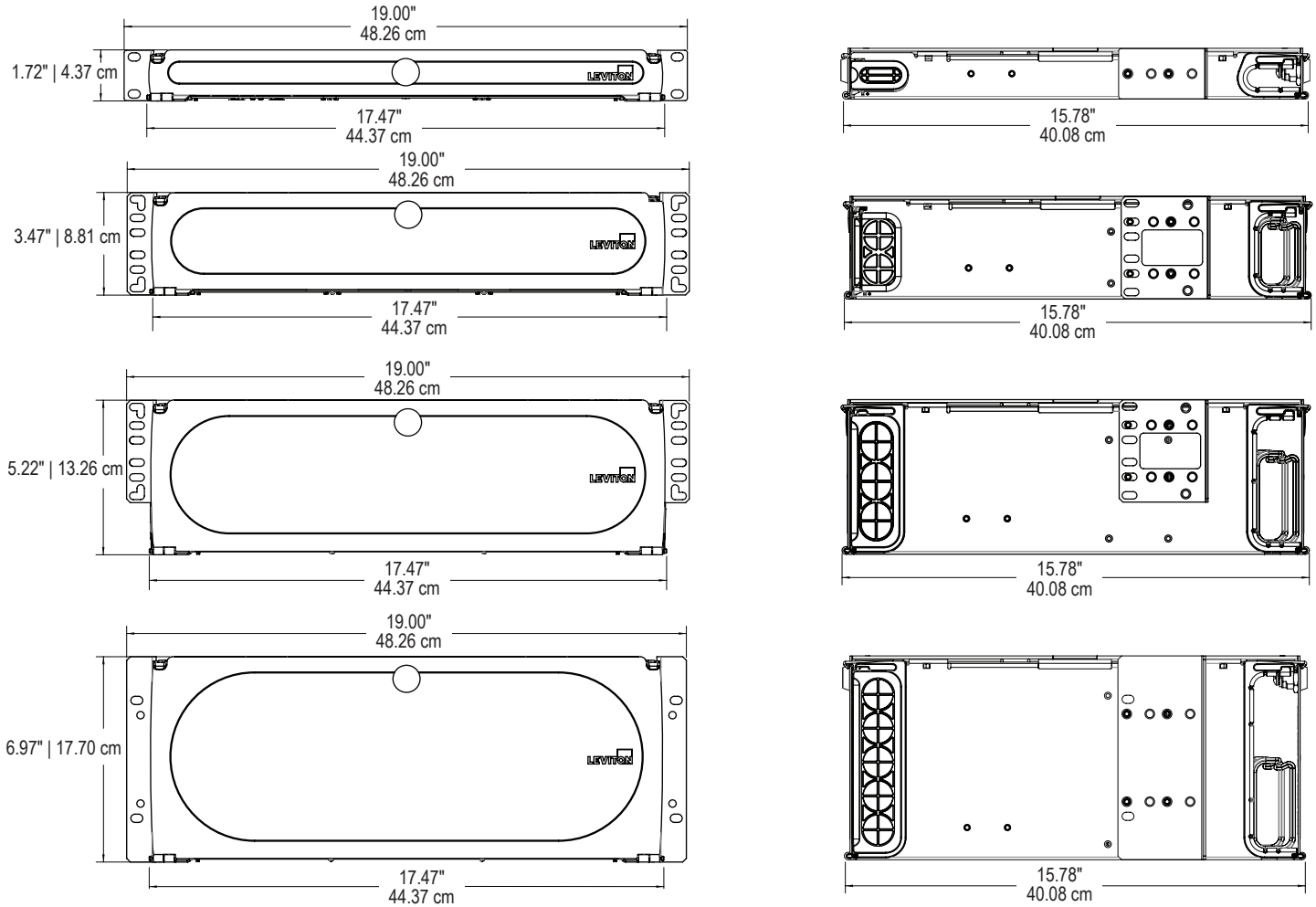


**WARRANTY INFORMATION**

For warranty information, go to [leviton.com](http://leviton.com) or call 800.722.2072.

**ELECTRONIC FILES**

For CAD files, typical specs, or technical drawings (.DXF, .DWG, Visio), visit [www.leviton.com](http://www.leviton.com).



**5RxUM-xxx**

DENSITY			
Rack Unit	Fibers	Adapter Plate or MTP Cassette	Splice trays
1RU	72	Up to 3	Up to 3
2RU	144	Up to 6	Up to 6
3RU	216	Up to 9 (horizontal adapter plate/module orientation)	Up to 12
3RU	288	Up to 12 (vertical adapter plate/module orientation)	Up to 12
4RU	288	Up to 12 (vertical adapter plate/module orientation)	Up to 12
4RU	360	Up to 15 (horizontal adapter plate/module orientation)	Up to 12

<b>Leviton Network Solutions</b> 2222 - 222nd St. SE Bothell, WA 98021-4416  tel 1-800-824-3005 tel +1-425-486-2222 <a href="mailto:appeng@leviton.com">appeng@leviton.com</a> <a href="http://www.leviton.com">www.leviton.com</a>	<b>Asia / Pacific</b> T +1.631.812.6228 E <a href="mailto:infoasean@leviton.com">infoasean@leviton.com</a>	<b>Canada</b> T +1.514.954.1840 E <a href="mailto:pcservice@leviton.com">pcservice@leviton.com</a>	<b>Caribbean</b> T +1.954.593.1896 E <a href="mailto:infocaribbean@leviton.com">infocaribbean@leviton.com</a>	<b>China</b> T +852.2774.9876 E <a href="mailto:infochina@leviton.com">infochina@leviton.com</a>	<b>Colombia</b> T +57.1.743.6045 E <a href="mailto:infocolombia@leviton.com">infocolombia@leviton.com</a>
	<b>Europe</b> T +44.0.1592.772124 E <a href="mailto:customerservice@brand-rex.com">customerservice@brand-rex.com</a>	<b>India / SAARC</b> T +971.4.886.4722 E <a href="mailto:infoindia@leviton.com">infoindia@leviton.com</a>	<b>Mexico</b> T +52.55.5082.1040 E <a href="mailto:lsamarketing@leviton.com">lsamarketing@leviton.com</a>	<b>Middle East &amp; Africa</b> T +971.4.886.4722 E <a href="mailto:lmeinfo@leviton.com">lmeinfo@leviton.com</a>	<b>South Korea</b> T +82.2.3273.9963 E <a href="mailto:infokorea@leviton.com">infokorea@leviton.com</a>

**DENSITY USING RETRO-FIT SLIDING TRAY**

Rack Unit	Fibers	Adapter Plate or MTP Cassette (HDX)
1RU	96	Up to 8
2RU	192	Up to 16

**Make-to-Order! Opt-X 1000i Rack-Mount Enclosure Options**

ENCLOSURE STYLE	ADAPTER PLATES OR MTP® CASSETTE SELECTION	NUMBER OF ADAPTER PLATES	FIBER TYPE	ADAPTER TYPE & PIGTAIL SELECTION	SPLICE TRAY STYLE	NO. OF SPLICE TRAYS	SECURITY OPTIONS	CABLE CLAMP KIT
<ul style="list-style-type: none"> <li>• 1RU Opt-X</li> <li>• 2RU Opt-X</li> <li>• 1RU or 2RU Opt-X w/ tray</li> <li>• 3RU or 4RU Opt-X w/ horizontal adapter plates</li> <li>• 3RU or 4RU Opt-X w/ vertical adapter plates</li> </ul>	<ul style="list-style-type: none"> <li>• 6 fibers (SC, ST)</li> <li>• 8 fibers (ST)</li> <li>• 12 fibers (LC, SC)</li> <li>• 24 fibers (LC only)</li> </ul>	<ul style="list-style-type: none"> <li>• 1 -15</li> </ul>	<ul style="list-style-type: none"> <li>• OM1</li> <li>• OM2</li> <li>• OM3</li> <li>• OM4</li> <li>• OM4+</li> <li>• OS2</li> </ul>	<ul style="list-style-type: none"> <li>• LC</li> <li>• LC + pigtail</li> <li>• SC</li> <li>• SC/APC</li> <li>• SC + pigtail</li> <li>• SC/APC + pigtail</li> <li>• ST</li> <li>• ST + pigtail</li> </ul>	<ul style="list-style-type: none"> <li>• Heatshrink, plastic holders, up to 12 fibers (molded tray)</li> <li>• Heatshrink, plastic holders, up to 24 fibers (molded tray)</li> <li>• None</li> </ul>	<ul style="list-style-type: none"> <li>• 1-12</li> <li>• None</li> </ul>	<ul style="list-style-type: none"> <li>• Locking front door</li> <li>• Locking rear door</li> <li>• Both doors</li> <li>• None</li> </ul>	<ul style="list-style-type: none"> <li>• Yes</li> <li>• No</li> </ul>

For assistance customizing your enclosures, please visit [leviton.com/configurator](http://leviton.com/configurator) or call Tech Support at 800.824.3005.

**5RxUM-xxx**

**OPT-X® 1000i RACK-MOUNT ENCLOSURES**

DESCRIPTION	PART NO.
Opt-X 1000i, 1RU Enclosure, Empty	5R1UM-F03
Opt-X 1000i, 1RU Enclosure, Empty, with sliding tray	5R1UM-S03
Opt-X 1000i, 2RU Enclosure, Empty	5R2UM-F06
Opt-X 1000i, 2RU Enclosure, Empty, with sliding tray	5R2UM-S06
Opt-X 1000i, 3RU Enclosure, Empty	5R3UM-F09
Opt-X 1000i, 3RU Enclosure, Empty	5R3UM-F12
Opt-X 1000i, 4RU Enclosure, Empty	5R4UM-F12
Opt-X 1000i, 4RU Enclosure, Empty	5R4UM-F15

Enclosure includes an accessory kit which consists of cable ties, mounting screws, ID label, and spiral wrap (for cable protection on units with sliding tray)

**ACCESSORIES**

DESCRIPTION	PART NO.
Retrofit Sliding Tray, 2U (for use with HDX Cassettes/Plates)	5R2UR-TRY
Retrofit Sliding Tray, 1U (for use with HDX Cassettes/Plates)	5R1UR-TRY
Universal Cable Clamp Kit, single cable grommet (for enclosure mounting)	5RCMP-KIT
Universal Cable Clamp Kit, multiple cable grommet (for enclosure mounting)	5RCMP-KT2
Universal Cable Clamp Kit (for rack post mounting)	5RCMR-KIT
Universal 0 RU Patch Cord Managers	5RCMT-VFG
HDX to SDX Adapter Bracket	HDXAD-ACC
Fiber Cable Management ¼ Round Ring Kit (bag of four)	5R100-14R*
1RU Enclosure 23" Rack and Cabinet Mounting Bracket	5R1RU-023
Lock and Key	5L000-KAL

\* Not for use in Retrofit Sliding Tray



<b>Leviton Network Solutions</b> 2222 - 222nd St. SE Bothell, WA 98021-4416	<b>Asia / Pacific</b> T +1.631.812.6228 E infoasean@leviton.com	<b>Canada</b> T +1.514.954.1840 E pcservice@leviton.com	<b>Caribbean</b> T +1.954.593.1896 E infocaribbean@leviton.com	<b>China</b> T +852.2774.9876 E infochina@leviton.com	<b>Colombia</b> T +57.1.743.6045 E infocolombia@leviton.com
---	---	---	--	---	---

tel 1-800-824-3005 tel +1-425-486-2222 appeng@leviton.com www.leviton.com	<b>Europe</b> T +44.0.1592.772124 E customerservice@brand-rex.com	<b>India / SAARC</b> T +971.4.886.4722 E infoindia@leviton.com	<b>Mexico</b> T +52.55.5082.1040 E lsamarketing@leviton.com	<b>Middle East &amp; Africa</b> T +971.4.886.4722 E lmeinfo@leviton.com	<b>South Korea</b> T +82.2.3273.9963 E infokorea@leviton.com
--	---	--	---	---	--