

HDX Enterprise MTP Cassettes

APPLICATION

HDX MTP Cassettes are pre-terminated, pre-tested, and come with 12 MTP connectors on the back that break out to single or array connectors on the front. Cassettes are custom-built to your configuration needs. Select from a variety of connectors, including LC, SC, and MTP. For more information, visit www.leviton.com/configurator.



SPECIFICATION

All pre-terminated components including trunks, cassettes, harnesses, brackets, patch panels, and enclosures shall be provided and warranted by a single manufacturer. Components with modular (12-fiber) connection shall use MTP connectors. LC connectors and adapters shall use ceramic ferrules and LC and SC sleeves. Multimode cassettes shall meet an optical insertion loss not to exceed 0.50 dB for 12-fiber MTP-to-LC cassettes, and 0.75 dB for 8- and 12-fiber MTP-to-MTP cassettes. Cassettes shall be pre-terminated and pre-tested with test documentation provided upon request.

COUNTRY OF ORIGIN

USA

FEATURES

- Pre-terminated fiber eliminates the need for complicated and craft-sensitive field terminations and splices
- High-density components reduce space requirements for cable pathways, racks, and cabinets by 50% or more
- One cassette supports up to 24 fibers (MTP to MTP)
- MTP connector terminates 12 fibers
- Select from a variety of fiber types including single-mode, multimode, and laser-optimized multimode
- Discrete connectors are heat cured and use ceramic ferrules and sleeves for consistent performance
- Labeled to identify channel, wiring, and polarity

DESIGN CONSIDERATIONS

- Fits in 2000i and 1000i HDX 1RU and 2RU enclosures
- Fits in UHDX 1RU, 2RU, and 4RU enclosures
- Fits in UHDX 1RU Flat and Angled Panels
- Fits in HDX Fiber Distribution Frame Patching Decks
- MTP adapters oriented key up/key down (or opposed)
- MTP connectors are pinned (male) on back of cassette
- 8F MTP connectors are unpinned (female) on front-side of cassette

STANDARDS COMPLIANCE

- Adheres to ANSI/TIA-942 data center design guidelines
- Meets ANSI/TIA-568.3-D for performance requirements
- Meets ANSI/TIA-604-5 (MTP), -3B (SC), -10B (LC) for connector intermateability

PHYSICAL SPECIFICATIONS

Material: Grey polycarbonate
 Dimensions: See page two

PERFORMANCE SPECIFICATIONS

FIBER CASSETTE INSERTION LOSS		
	Multimode	Single-mode
	12-fiber Max IL	Max IL
LC	0.50	0.90
MTP	0.75	0.75
SC	0.50	0.90

WARRANTY INFORMATION

For a copy of Leviton product warranties, visit www.leviton.com/warranty.

Leviton Network Solutions 2222 - 222nd St. SE Bothell, WA 98021-4416 tel 1-800-824-3005 tel +1-425-486-2222 appeng@leviton.com www.leviton.com	Asia / Pacific T +1.631.812.6228 E infoasean@leviton.com	Canada T +1.514.954.1840 E pcservice@leviton.com	Caribbean T +1.954.593.1896 E infocaribbean@leviton.com	China T +852.2774.9876 E infochina@leviton.com	Colombia T +57.1.743.6045 E infocolombia@leviton.com
	Europe T +44.0.1592.772124 E customerserviceeu@leviton.com	India / SAARC T +971.4.886.4722 E infoindia@leviton.com	Mexico T +52.55.5082.1040 E lsamarketing@leviton.com	Middle East & Africa T +971.4.886.4722 E lmeinfo@leviton.com	South Korea T +82.2.3273.9963 E infokorea@leviton.com

ELECTRONIC FILES

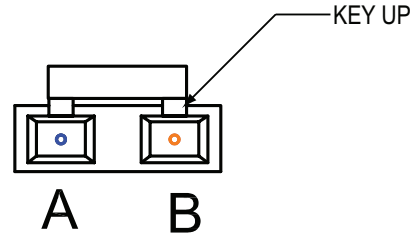
For CAD files, typical specs, or dimensional line art (.DXF, .DWG), visit www.leviton.com.

COLOR CODES	
Adapters	
OS2	Blue
OM2	Beige
OM3/4	Aqua
OM4+	Violet

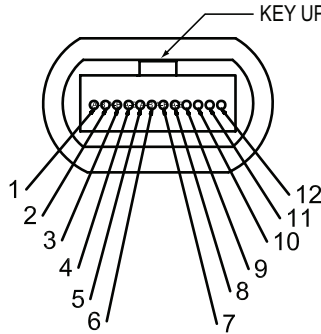
TYPICAL 12-FIBER WIRING CONFIGURATIONS

Port ID	Discrete Connector Position	Fiber Color	MTP Connector Position
1	A	Blue	1
	B	Orange	2
2	A	Green	3
	B	Brown	4
3	A	Slate	5
	B	White	6
4	A	Red	7
	B	Black	8
5	A	Yellow	9
	B	Violet	10
6	A	Rose	11
	B	Aqua	12

Discrete Duplex Connector



MTP Connector



HDX Enterprise MTP Cassettes

Make to order! HDX ENTERPRISE MTP CASSETTE OPTIONS

FIBER TYPE	FIBER COUNT	CONNECTOR TYPE (FRONT)	MTP FIBER COUNT (REAR)	POLARITY
• OM3 (E)	• 12	• LC (L)	• 12-fiber (M4)	• Method A (A)
• OM4 (F)	• 24	• 8-Fiber MTP Female (M)	• 24-fiber (M2)	• Method B (Core) (BC)
• OM4+ (G)*		• 8-Fiber MTP Male (N)		• Method B (Edge) (BE)
• OS2 (A)				• Method C (C)



For assistance customizing your pre-terminated trunks, please visit leviton.com/configurator or call Tech Support at 800.824.3005.

*Minimum order quantities and lead times may apply

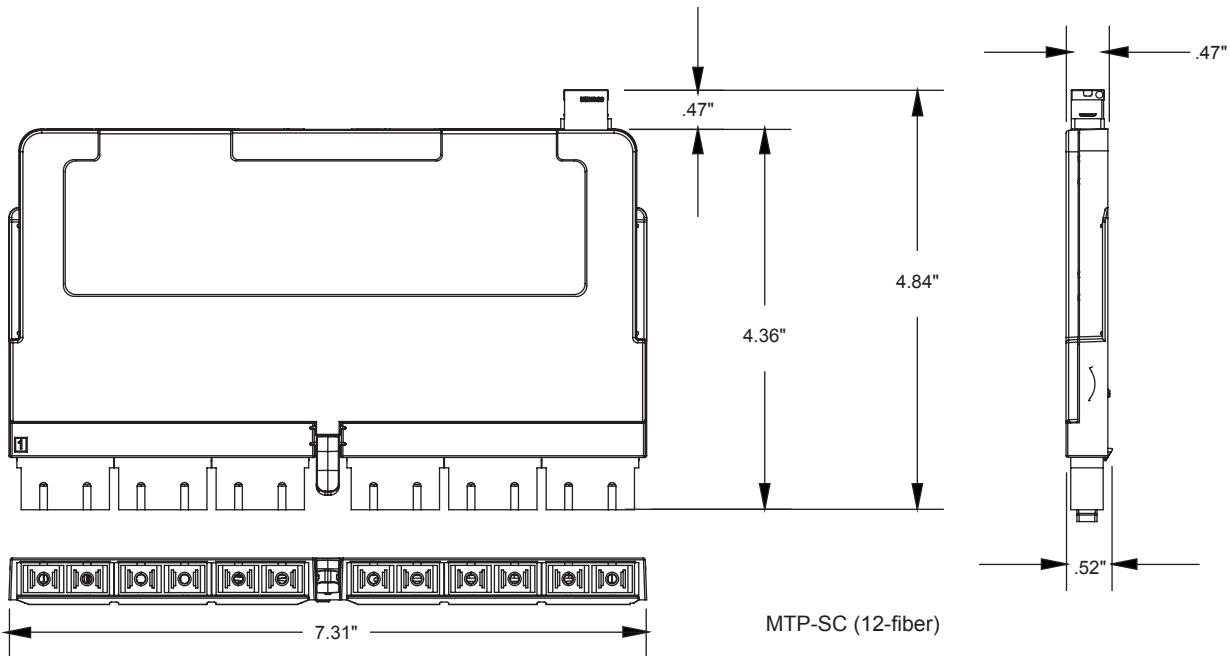
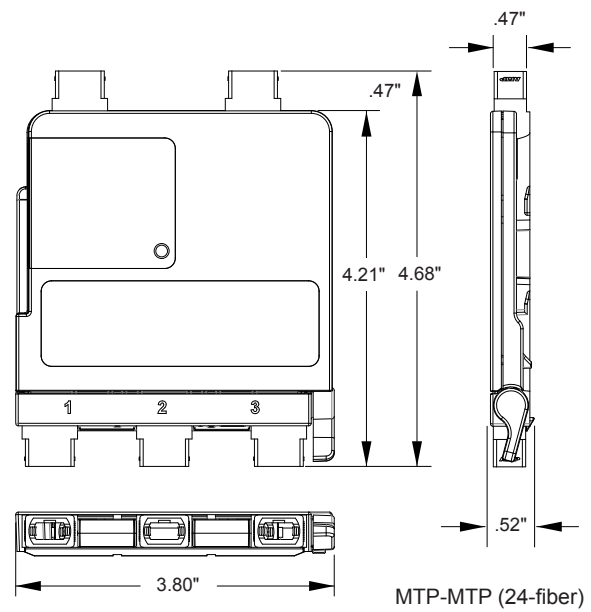
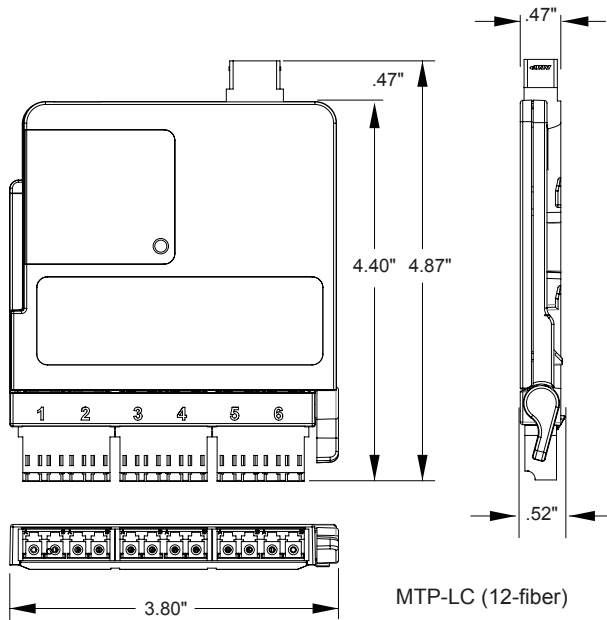
<p>Leviton Network Solutions 2222 - 222nd St. SE Bothell, WA 98021-4416</p> <p>tel 1-800-824-3005 tel +1-425-486-2222 appeng@leviton.com www.leviton.com</p>	<p>Asia / Pacific T +1.631.812.6228 E infoasean@leviton.com</p> <p>Europe T +44.0.1592.772124 E customerserviceeu@leviton.com</p>	<p>Canada T +1.514.954.1840 E pcservice@leviton.com</p> <p>India / SAARC T +971.4.886.4722 E infoindia@leviton.com</p>	<p>Caribbean T +1.954.593.1896 E infocaribbean@leviton.com</p> <p>Mexico T +52.55.5082.1040 E lsamarketing@leviton.com</p>	<p>China T +852.2774.9876 E infochina@leviton.com</p> <p>Middle East & Africa T +971.4.886.4722 E Imeinfo@leviton.com</p>	<p>Colombia T +57.1.743.6045 E infocolombia@leviton.com</p> <p>South Korea T +82.2.3273.9963 E infokorea@leviton.com</p>
---	---	--	---	---	---

12-FIBER CASSETTES — POPULAR CONFIGURATIONS

Description	Part No.
OM3, 12-fiber, MTP (male) to LC, Method B Core	31LM1-BCN
OM3, 12-fiber, MTP (male) to LC, Method B Edge	31LM1-BEN
OM4, 12-fiber, MTP (male) to LC, Method B Core	41LM1-BCN
OM4, 12-fiber, MTP (male) to LC, Method B Edge	41LM1-BEN
OS2, 12-fiber, MTP (male) to LC, Method B Core	U1LM1-BCN
OS2, 12-fiber, MTP (male) to LC, Method B Edge	U1LM1-BEN

24-FIBER CASSETTES — POPULAR CONFIGURATIONS

Description	Part No.
OM3, 24-fiber, MTP (male) to LC, Method B Core	32LM1-BCN
OM3, 24-fiber, MTP (male) to LC, Method B Edge	32LM1-BEN
OM4, 24-fiber, MTP (male) to LC, Method B Core	42LM1-BCN
OM4, 24-fiber, MTP (male) to LC, Method B Edge	42LM1-BEN
OS2, 24-fiber, MTP (male) to LC, Method B Core	U2LM1-BCN
OS2, 24-fiber, MTP (male) to LC, Method B Edge	U2LM1-BEN
OM4, 24-fiber, 2x12F MTP (male) to 3x8F MTP (female), Method B Core	42MM1-BCN
OM4, 24-fiber, 2x12F MTP (male) to 3x8F MTP (female), Method B Edge	42MM1-BEN
OS2, 24-fiber, 2x12F MTP (male) to 3x8F MTP (female), Method B Core	U2MM1-BCN
OS2, 24-fiber, 2x12F MTP (male) to 3x8F MTP (female), Method B Edge	U2MM1-BEN



Leviton Network Solutions
2222 - 222nd St. SE
Bothell, WA 98021-4416

Asia / Pacific
T +1.631.812.6228
E infoasean@leviton.com

Canada
T +1.514.954.1840
E pcservice@leviton.com

Caribbean
T +1.954.593.1896
E infocaribbean@leviton.com

China
T +852.2774.9876
E infochina@leviton.com

Colombia
T +57.1.743.6045
E infocolombia@leviton.com

tel 1-800-824-3005
tel +1-425-486-2222
appeng@leviton.com
www.leviton.com

Europe
T +44.0.1592.772124
E customerserviceeu@leviton.com

India / SAARC
T +971.4.886.4722
E infoindia@leviton.com

Mexico
T +52.55.5082.1040
E lsamarketing@leviton.com

Middle East & Africa
T +971.4.886.4722
E lmeinfo@leviton.com

South Korea
T +82.2.3273.9963
E infokorea@leviton.com