

e2XHD Enterprise MTP Cassettes

APPLICATION

The e2XHD Patching System, an easy-to-connect, high-density solution, provides simple termination and improved cable routing for both fiber and copper applications. Cassettes quickly snap-in and pull out of the e2XHD high-density panels, making installation easier than ever. Fiber cassettes are custom configurable and arrive pre-terminated.



e2XHD MTP-LC
12-Fiber Core Cassette



e2XHD MTP-LC
24-Fiber Core Cassette

SPECIFICATION

Multimode cassettes shall meet an optical insertion loss not to exceed 0.50 dB for 12-fiber MTP-to-LC cassettes, and 0.75 dB for 8- and 12-fiber MTP-to-MTP cassettes. Fiber cassettes shall snap into rear of panel and shall require no tools to remove. Fiber cassettes shall accept 12 or 24 fibers in MTP-LC. Cassettes shall meet all ANSI/TIA-568.3-D requirements.

COUNTRY OF ORIGIN

USA

FEATURES

- OM3, OM4, OM4+, or OS2 available for cassettes
- OM4+ violet helps identify cable plant patching requirements
- Alignment tabs on panel ensure upright insertion of cassettes
- To remove cassettes from panel, simply pull on back handle
- Custom configurable through Leviton's Make-to-Order program
- MTP adapters swivel to three positions for easier cable routing:



DESIGN CONSIDERATIONS

- Panels hold up to 48 duplex fiber channels per rack unit
- Panel accepts up to eight copper and/or fiber cassettes (12-fiber LC-MTP)
- Fiber cassettes available in 12- and 24-fiber options and work with pre-terminated 12-fiber MTP trunks
- TIA Method B polarity installations require one core cassette for each edge cassette; white fiber cassettes designate edge, and black designate core

PHYSICAL SPECIFICATIONS

Materials: Cold-rolled steel and high-performance plastics

STANDARDS COMPLIANCE

- ANSI/TIA-568.3-D

PERFORMANCE SPECIFICATIONS

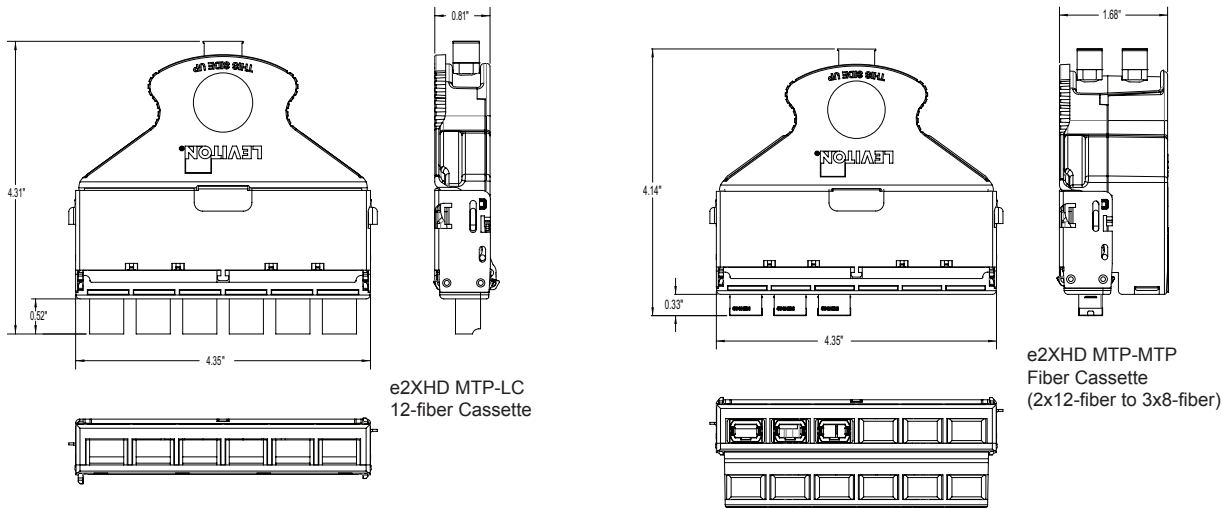
FIBER CASSETTE INSERTION LOSS			
	Multimode	Single-mode	
	12-fiber Max IL	Typical IL	Max IL
MTP-LC	0.50	0.60	0.90
MTP-MTP	0.75	—	—

WARRANTY INFORMATION

For a copy of Leviton product warranties, visit www.leviton.com.

ELECTRONIC FILES

For CAD files, typical specs, or technical drawings (.DXF, .DWG), visit www.leviton.com.



e2XHD Enterprise MTP Fiber Cassette

12-FIBER CASSETTES — POPULAR CONFIGURATIONS

Description	PART NO.
OM3, 12-fiber, MTP (male) to LC, Method B Core	FME2XHD-E012CKQDBC
OM3, 12-fiber, MTP (male) to LC, Method B Edge	FME2XHD-E012CKQDBE
OM4, 12-fiber, MTP (male) to LC, Method B Core	FME2XHD-F012CKQDBC
OM4, 12-fiber, MTP (male) to LC, Method B Edge	FME2XHD-F012CKQDBE
OS2, 12-fiber, MTP (male) to LC, Method B Core	FME2XHD-A012CKQDBC
OS2, 12-fiber, MTP (male) to LC, Method B Edge	FME2XHD-A012CKQDBE

24-FIBER CASSETTES — POPULAR CONFIGURATIONS

Description	PART NO.
OM4, 24-fiber, 2x12F MTP (male) to LC, Method B Core	FME2XHD-F024CKQEBC
OM4, 24-fiber, 2x12F MTP (male) to LC, Method B Edge	FME2XHD-F024CKQEBC
OS2, 24-fiber, 2x12F MTP (male) to LC, Method B Core	FME2XHD-A024CKLEBC
OS2, 24-fiber, 2x12F MTP (male) to LC, Method B Edge	FME2XHD-A024CKLEBE

Make to order! E2XHD ENTERPRISE MTP FIBER CASSETTE OPTIONS

FIBER TYPE	FIBER COUNT	CONNECTOR TYPE (FRONT)	MTP FIBER COUNT (REAR)	COLORS	POLARITY
• OM3 (E)	• 12	• LC (R)	• 12F MTP (K)	• MM aqua adapter (Q)	• Method A (A)
• OM4 (F)	• 24	• 8F MTP (F)	• 24F MTP 2x12 F (KK)	• MM violet adapter (P)	• Method B, Core, black (BC)
• OM4+ (G)*		• 8F MTP (M)		• SM blue adapter (L)	• Method B, Edge, white (BE)
• OS2 (A)				• Black (MTP only) (K)	• Method C (C)



For assistance customizing your pre-terminated trunks, please visit leviton.com/configurator or call Tech Support at 800.824.3005.

*Minimum order quantities and lead times may apply



Leviton Network Solutions
2222 - 222nd St. SE
Bothell, WA 98021-4416

Asia / Pacific
T +1.631.812.6228
E infoasean@leviton.com

Canada
T +1.514.954.1840
E pcservice@leviton.com

Caribbean
T +1.954.593.1896
E infocaribbean@leviton.com

China
T +852.2774.9876
E infochina@leviton.com

Colombia
T +57.1.743.6045
E infocolombia@leviton.com

tel 1-800-824-3005
tel +1-425-486-2222
appeng@leviton.com
www.leviton.com

Europe
T +44.0.1592.772124
E customerserviceeu@leviton.com

India / SAARC
T +971.4.886.4722
E infoindia@leviton.com

Mexico
T +52.55.5082.1040
E isamarketing@leviton.com

Middle East & Africa
T +971.4.886.4722
E imeinfo@leviton.com

South Korea
T +82.2.3273.9963
E infokorea@leviton.com