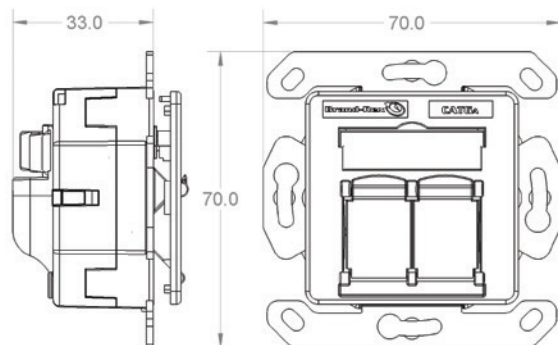




Brand-Rex Copper Connectivity - 10GPlus Outlets
Cat6_A Shielded Dual Universal Outlet



Product Part Numbers

Description	Part Number	Weight per Item	Qty per Pack
Cat6 _A Screened Universal Dual Outlet (White, RAL 9010)	AC6G245SU002	50g	1
Cat6 _A Screened Universal Dual Outlet (Ivory, RAL 1013)	AC6G245U001	50g	1
Cat6 _A Screened Universal Dual Outlet (no faceplate)	AC6G245U000	45g	1

- Superior performance – True Cat6_A performance offering improved headroom
- Robust design – The light yet robust construction ensures a minimum 2500 patch cord insertion/removals
- Extended Range - Faceplate available in White (RAL9010) or Ivory (RAL1013). A version without faceplate is also available
- Installation compatibility – Suitable for use with a variety of custom faceplate designs
- Installation flexibility - Multiple cable entry options with horizontal and vertical cable presentation
- Port Identification – Individual labelling area for improved administration
- Integrated shutters – Dust covers as standard for added protection when not in use

PRODUCT DESCRIPTION

The Brand-Rex 10GPlus Universal Shielded Dual Outlet offers true Cat6_A Class EA performance. The outlets are designed to offer greater flexibility at installation and the PCB design ensures exceptional electrical performance. Cable entry can be managed horizontally or vertically with rear cable presentation in 4 positions. Cable clamps are supplied to ensure optimum screening characteristics are maintained.

The cable is terminated using standard LSA IDC's which are colour coded to allow for intuitive A or B wiring. The RJ45 sockets have dust covers for protection when not in use. The colour options for the faceplate are RAL9010 or RAL1013 and can also be supplied without a faceplate. Each assembly is supplied with cable clamps, labels, clear label window and a short form instruction leaflet as standard.

PRODUCT CHARACTERISTICS

Conformance: ISO/IEC 11801 ed 2.2 (2011) IEC 60603-7, -7-1 and -7-51 EIA/TIA 568C series.

MECHANICAL SPECIFICATION

Repeat plug insertions: >750 mating cycles with an IEC 60603-7 compliant plug. Product tested to 2500 insertion cycles

Wiring standard: T568 A and B wiring types

Regulation & Compliance: RoHS 2011/65/EU Compliant

ELECTRICAL CHARACTERISTICS

Voltage Proof: 1500V dc / ac peak
Current-temp derating compliant with IEC 60603-7

Contact Resistance: <20mΩ

Insulation Resistance: >500MΩ

Environmental conditions

Operating temp: -10°C to 60°C at 93% relative humidity, non-condensing

Storage temp: -40°C to 70°C