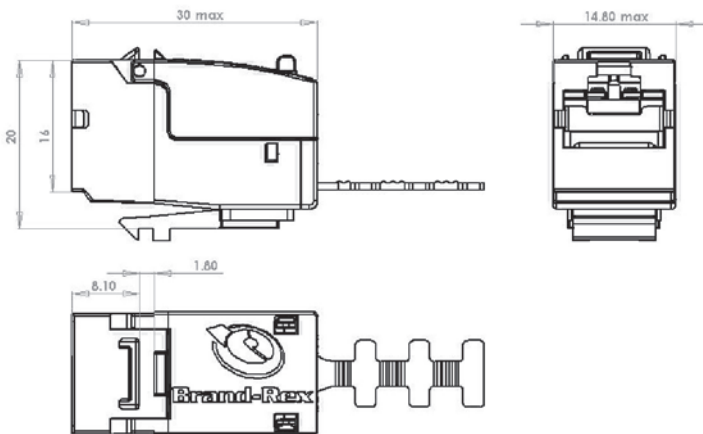


Brand-Rex Copper Connectivity – 10GPlus Tool-free Jack
Augmented Category 6 Shielded Tool-free Snap-in-Jack



PRODUCT DESCRIPTION

The 10GPlus Shielded Tool-free Snap-in-Jack is easy and quick to install, its compact construction and multiple cable-entry options make it the most flexible product of its type available. It is smaller and shorter than traditional products, allowing it to fit more comfortably into confined spaces. The jack also features an adjustable management element allowing for a rear, top or side-entry cable termination. Designed for use in all structured cabling environments including the general office and data centres, the jack can be installed in patch panels, wall outlets and floor box modules to provide a robust and versatile solution. The 10GPlus system is an Augmented Category 6 and Class EA solution set that is fully backwards compatible to Cat6 (Class E) and Cat5e (Class D) products. The jack is fully compatible with all our UK and Continental style faceplates and patch panel products.

Independent 3rd Party Certification (3P)

PRODUCT CHARACTERISTICS

- Outlet Style: Shielded keystone type with unkeyed RJ-45 ports
- Cable Entry: Rear
- Hole Plate Thickness: Up to 1.6mm
- Body Material: Zinc, Nickel plated
- Jack Contacts: 50µin (1.27µm) gold over nickel plating
- Punch Down Blocks: Tool-Free with push down cable manager for wire AWG 22-27 solid
- Wire Terminations: Tool-Free with cap
- IDC Contacts: Tin plated titanium copper
- Wiring Standard: EIA/TIA 568 A & B
- Conformance: Conforms to all of the physical reliability requirements defined in the IEC 60603-7 series of standards and the EIA/TIA 568 C set (including 'over-stress' testing up to 2,500 insertion cycles with a standard plug).

Also available in Category 6

Product Part Numbering

Description	Part Number	Qty per Pack
Augmented Category 6 Shielded Tool-free Jack	AC6JAKS000	12