

PRODUCT DESCRIPTION

Brand-Rex VOICE includes a range of surface mounted telecom boxes for multipair cable termination, surface mounted outlets, 50 x 25mm UK styled faceplate modules and line adaptor fly leads.

Termination Boxes

The range of termination boxes is available in a number of sizes to accommodate up to 10 x 10 pair disconnect termination modules. Each box has been designed for easy access with internal pair management and knockout cable entry to provide a simple cost effective solution for termination of incoming voice lines.

These units can be fitted before and after a PBX (Private Branch eXchange) telephone system providing for the removal or replacement of the PBX unit with minimal disruption to incoming and outgoing connections.

Telecom Outlet (LJU)

Available in PSTN, PBX or secondary units, this product has a UK style telephone socket and LSA style IDC cable termination. Supplied as a standard UK style 68 x 68mm faceplate, this outlet comes with a removable 21mm deep backbox, faceplate mounting screws and installation instructions.

25 x 50mm Telecom Faceplate Module

As with our standard telecom outlet, this product is also available in PSTN, PBX or secondary units, with the same UK style telephone socket and LSA style IDC cable termination. This unit has been designed to mount in the Brand-Rex modular range of faceplates.

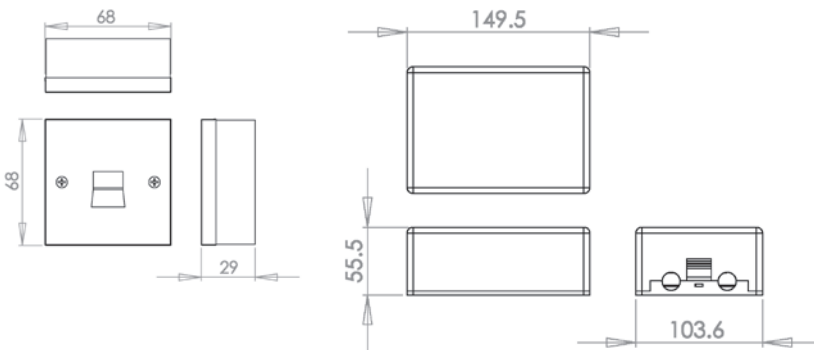
Telecom Fly Lead Adaptor

PSTN, PBX or secondary units are available with 150 mm leads to convert an RJ-45 data outlet into a standard UK style telephone outlet.

RANGE CHARACTERISTICS

Telephone Outlet: UK style 601 (6 pin) with a right hand latch position
 Punchdown: LSA style IDC

Brand-Rex Copper Systems - VOICE Connectivity



Product Part Numbering

	White
Wall Mount Dist Box - 3 Block (150 x 104 x 55)	MMCWDBU03001
Wall Mount Dist Box - 5 Block (129 x 160 x 90)	MMCWDBU05001
Wall Mount Dist Box - 10 Block (318 x 209 x 122)	MMCWDBU10001
Disconnection Block - 10 Pair	MMCDISU10PK001
10 Pair Disconnect Block Label Holder	MMCLBL10PU001
PSTN Master Single Outlet LJU Surface Mount	MMCLJUWMPSTN001
PBX Master Single Outlet LJU Surface Mount	MMCLJUWMPABX001
Secondary Single Outlet LJU Surface Mount	MMCLJUWMSEC001
PSTN 25 x 50mm LJU	LJUPSTN001
PBX 25 x 50mm LJU	LJUPBX001
Secondary 25 x 50mm LJU	LJUSEC001
PSTN Fly Lead Adaptor	LAUPSTNMP001
PBX Fly Lead Adaptor	LAUPBXM001
Secondary Fly Lead Adaptor	LAUSEC001

Not all parts are shown