

APPLICATION

The Brand-Rex ST-compatible adapters are comprised of a nickel-plated zinc die cast body fitted with a precision alignment mechanism. Refer to the diagrams for nominal dimensional information.

These adapters are precision made and manufactured to demanding specifications. The combination of a ceramic/phosphor bronze alignment sleeve and a precision metal housing, provides consistent long-term mechanical and optical performance.

FEATURES

- Strong and robust design
- Reliable performance
- Precise ferrule alignment
- Consistent optical and mechanical performance
- Dust protection caps as standard
- Singlemode and Multimode options available

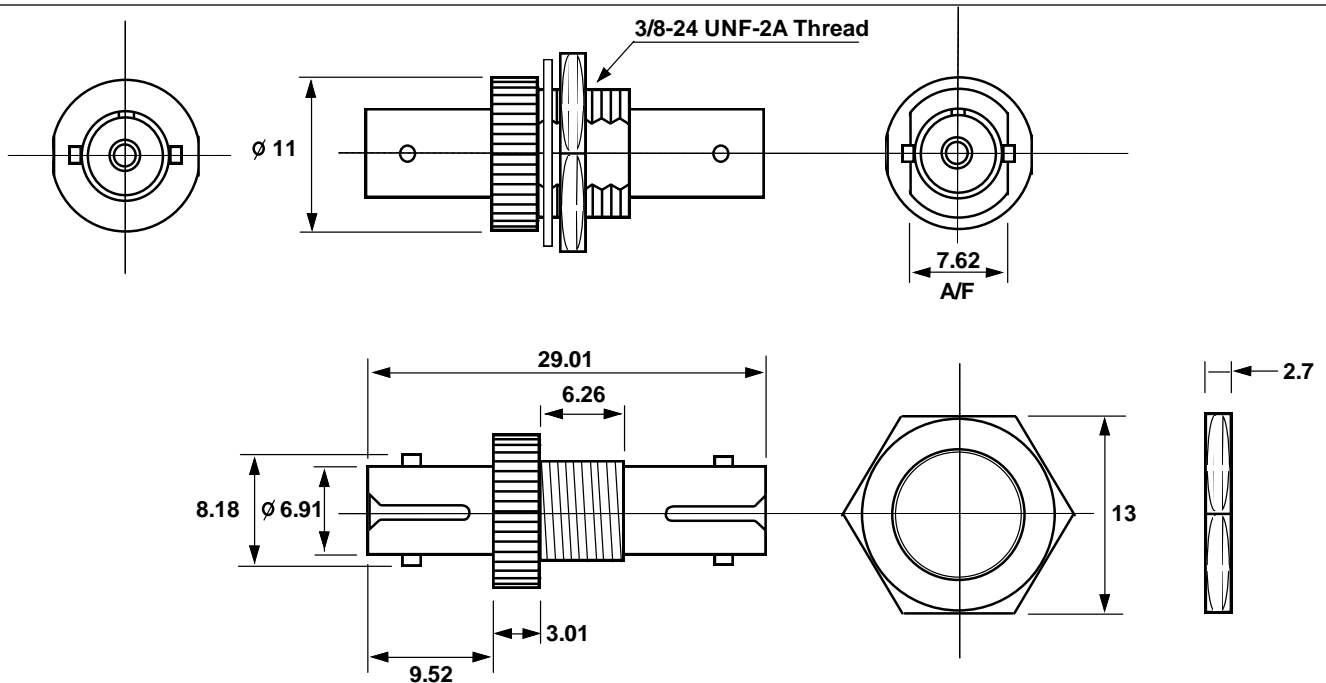


ORDER INFO

Brand-Rex Part Number	Item Description	Colour	Qty per Pack*
BHCSTSM001	ST Singlemode Fibre Optic Adapter c/washer, nut & dust caps	Red dust cap	1
BHCSTMM001	ST Multimode Fibre Optic Adapter c/washer, nut & dust caps	Black dust cap	1

*Bulk packaging also available.

PHYSICAL CHARACTERISTICS



(Dimensions in mm unless stated otherwise)

ALIGNMENT SLEEVE

- Type: Straight split
- Singlemode: Ceramic
- Multimode: Phosphor bronze

OPTICAL PERFORMANCE (INSERTION LOSS)

- Singlemode: Ceramic sleeve 0.1dB Max
- Multimode: Phosphor bronze 0.3db Max

INTERMATEABILITY

- Optically and mechanically compatible with all ST equivalent connectors compliant with ANSI/TIA/EIA-604-2-B: 2004. (FOCIS-2)

"Brand-Rex is dedicated to designing, developing and manufacturing sustainable high performance structured cabling and speciality cabling solutions"

The information contained in this document is valid and correct at the time of issue. Brand-Rex reserves the right to modify details without notice in light of subsequent standard/specification changes and ongoing technical developments.