

# Shielded CAT6Plus Snap-In Jack

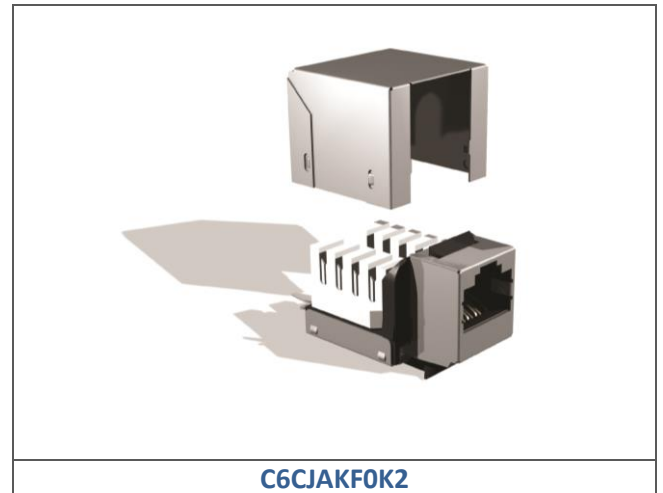
Datasheet: GD037586v7

## APPLICATION

The Brand-Rex CAT6Plus Screened Snap-In Jack offers true Category 6 component performance using a new, patented contact pin array design. UK Patent Application No. GB0222891.4. The jack is backward compatible and also fully compatible with all our UK and Continental style faceplates and products. Each jack is supplied with a short form installation instruction and cable tie.

## FEATURES

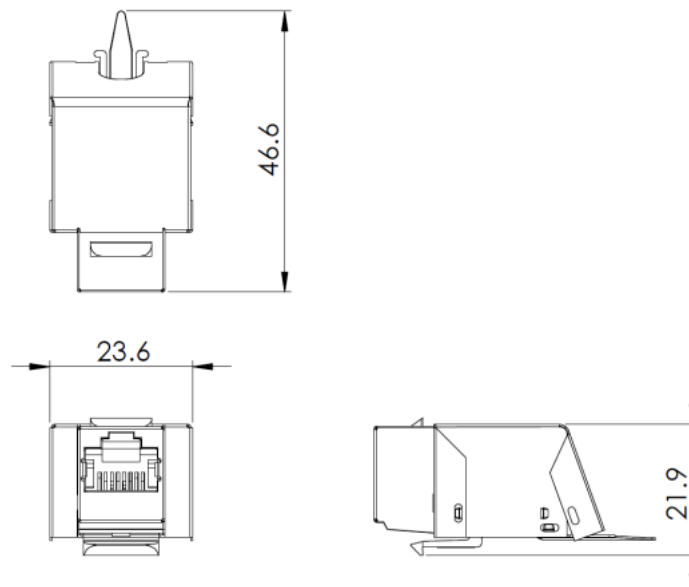
- Patented Pin Array, Brand-Rex technology inside
- Cat6 Performance
- LSA Style Insulation Displacement Connectors



## ORDER INFO

Brand-Rex Part Number	Item Description	Weight per Item (nom)	Qty per Pack
C6CJAKF0K2	CAT6Plus Shielded Snap-In Jack LSA Style A/B wired	35	12

## PHYSICAL CHARACTERISTICS



## APPLICABLE PRODUCT STANDARDS

- ISO/IEC category: Category 6 performance connectors
- ISO/IEC 11801 ed 2.2 (2011)
- IEC 60603-7, -7-1 and -7-51
- EIA/TIA 568 series: Category 6 performance

## REGULATIONS & COMPLIANCE

- RoHS 2011/65/EU Compliant

## ELECTRICAL CHARACTERISTICS

- Voltage Proof: 1500V dc / ac peak
- Current-temperature derating: compliant with IEC 60603-7
- Contact Resistance: <20mΩ
- Insulation Resistance: >500MΩ
- Coupling attenuation: >61dB

## COMPATIBILITY MATRIX

Catalogue Number	Description
MMCPNLX24SIJ*	1RU 24-Port Modular Staggered Snap-In Jack Panel
MMCPNLX24SIJ*M-B	1RU 24-Port Modular Staggered Snap-In Jack Panel with Management Bar
MMCPNLX48SIJ*	3RU 48-Port Modular Snap-In Jack Panel
49223-CBC	QuickPort In-Ceiling Bracket, includes clip for drop wire/rod mounting
49223-CB0	QuickPort In-Ceiling Bracket, no clip
MMCWDOUNI070	86 x 86 mm 1- Port Shuttered Faceplate
MMCWDOUNI071	86 x 86 mm 2- Port Shuttered Faceplate
MMCWDO06C001	25 x 38 mm Shuttered Floorbox Module
MMCANG06C3	25 x 38 mm Angled Shuttered Floorbox Module
MMCWDOUNI062	25 x 50 mm Shuttered Faceplate Module
MMCANG0623	25 x 50 mm Angled Faceplate Module
MMCANGLGS45002UK	50 x 50 mm 1-Port Angled Snap-In Jack Module
MMCUNILGS45001	1-Port Snap-In Jack Module
MMCANGLGS45002	1-Port Angled Snap-In Jack Module 45 x 45 mm
MMCANGDK1453	1-Port 50 x 50 mm German-style Snap-In Jack Module
MMCANGDK2453	2-Port 50 x 50 mm German-style Snap-In Jack Module
MMCUSIJ2002LO	70 x 115 mm 2-Port Horizontal Faceplate with Brand-Rex logo
MMCUSIJ4001LO	70 x 115 mm 4-Port Faceplate with Brand-Rex logo
MMCUSIJ4001LOICO	70 x 115 mm 4-Port Faceplate with Brand-Rex logo and options for icons

## MECHANICAL SPECIFICATIONS

- IDC Contacts: Accept solid wires 26-22AWG and stranded wires 26-24 AWG.
- Apertures: The product fits into 14.9mm x 19.8mm (WxH) cut outs with 1.5-1.6mm plate thickness.
- Repeat plug insertions: >750 mating cycles with an IEC 60603-7 complaint plug  
Product tested to 2500 insertion cycles
- Wiring: T568 A and B wiring types
- Note that each product pack contains a full installation instruction.

## ENVIRONMENTAL CONDITIONS

- Operating temperature from 0°C to 50°C at 93% relative humidity, non-condensing
- Storage temperature from -40°C to 70°C

*“Brand-Rex is **dedicated to designing, developing and manufacturing sustainable high performance structured cabling and speciality cabling solutions**”*

The information contained in this document is valid and correct at the time of issue. Brand-Rex reserves the right to modify details without notice in light of subsequent standard/specification changes and ongoing technical developments.