

CAT6Plus Unscreened Triple Outlet

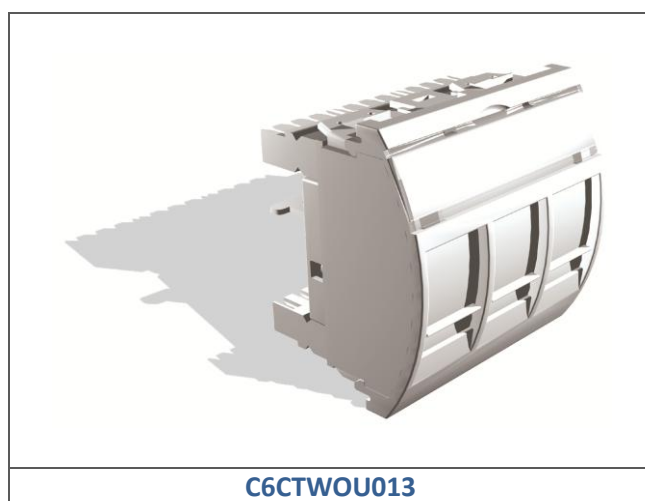
Datasheet: GD050164v3

APPLICATION

The Brand-Rex GIGAPlus Unscreened Triple Outlet offers both true Category 6 component performance and high density at the wall outlet. The outlet is backward compatible and also fully compatible with our UK style faceplates. Each jack is supplied with a short form installation instruction and cable ties. On the rear, the outlet has individual cable anchors points and clearly defined marking for A and B wiring. On the radius front, there is a removable label cover.

FEATURES

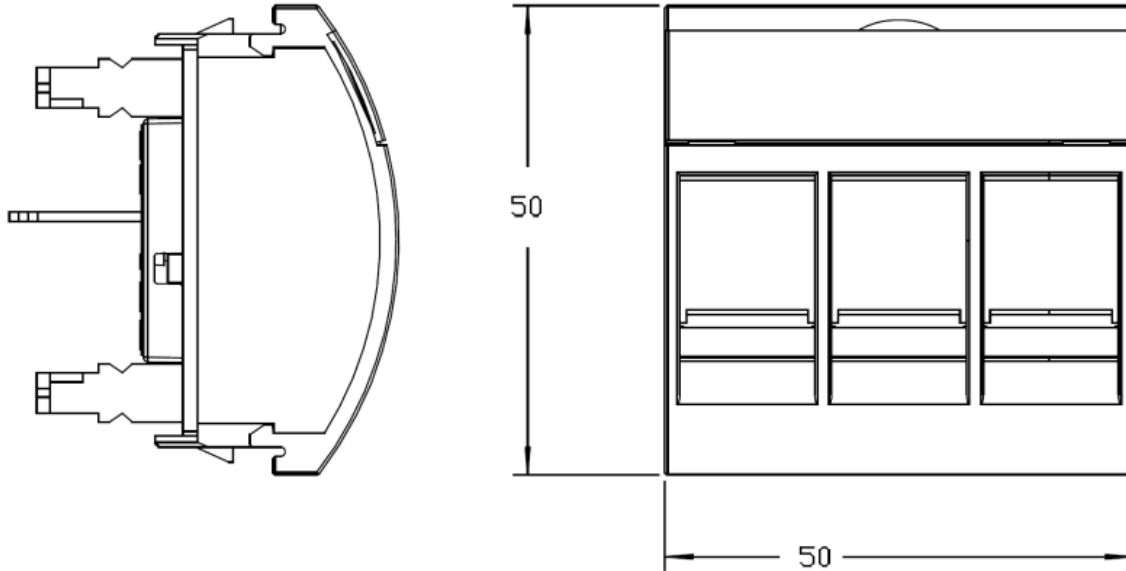
- Compliant with Cat6 Standards.
- 2500 patchcord insertion/removals.
- Robust design.
- Compatible with UK style faceplates
- 110 style Insulation Displacement Connectors



ORDER INFO

Brand-Rex Part Number	Item Description	Colour	Weight per Item (nom)	Qty per Pack
C6CTWOU013	CAT6Plus Unscreened Triple Outlet Universal Style A/B wired	White	40g	1

PHYSICAL CHARACTERISTICS



APPLICABLE PRODUCT STANDARDS

- Category 6 compliant ANSI/EIA/TIA 568-B.2-1

ENVIRONMENTAL CONDITIONS

- Operating temperature from 0°C to 50°C at 93% relative humidity, non-condensing
- Storage temperature from -40°C to 70°C

ELECTRICAL CHARACTERISTICS

- Voltage Proof: 1500V dc / ac peak
- Current-temperature derating: compliant with IEC 60603-7
- Contact Resistance: <20mΩ
- Insulation Resistance: >500MΩ
- Coupling attenuation: >61Db

MECHANICAL SPECIFICATIONS

- IDC Contacts: Accept solid wires 26-22AWG and stranded wires 26-24 AWG.
- Repeat plug insertions: >750 mating cycles with an IEC 60603-7 compliant plug
Product tested to 2500 insertion cycles
- Wiring: T568 A and B wiring types
- Note that each product pack contains a full installation instruction.

REGULATIONS & COMPLIANCE

RoHS 2011/65/EU Compliant

“Brand-Rex is dedicated to designing, developing and manufacturing sustainable high performance structured cabling and speciality cabling solutions”

The information contained in this document is valid and correct at the time of issue. Brand-Rex reserves the right to modify details without notice in light of subsequent standard/specification changes and ongoing technical developments.