

# GigaPlus 06C Slimline Outlet

Datasheet: GD057611v4

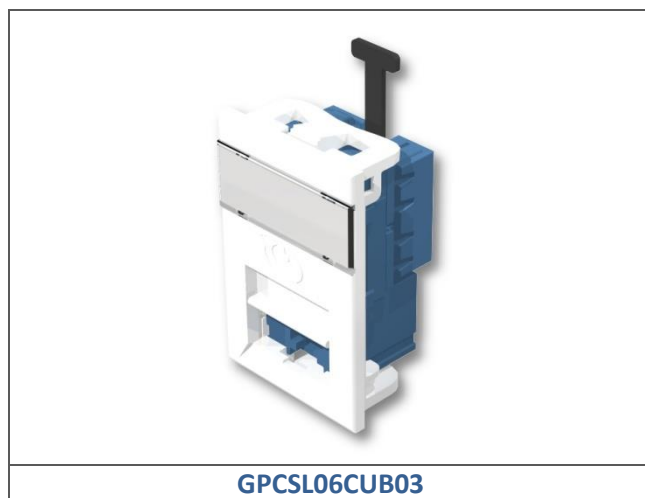
## APPLICATION

Brand-Rex GigaPlus 06C Screened and Unscreened Slimline outlet offers Category 5e component performance, is designed to fit into a standard 37 x 22mm floorbox cut-out, and is 19mm deep. Outlets are supplied with a colour code label for 568B standard wiring. The front plate has a light textured finish and can be supplied in either white or black.

Each module is supplied with a blank paper label size 8.0 x 24.5mm, for hand-written port identification, and a snap-on cover to protect it.

## FEATURES

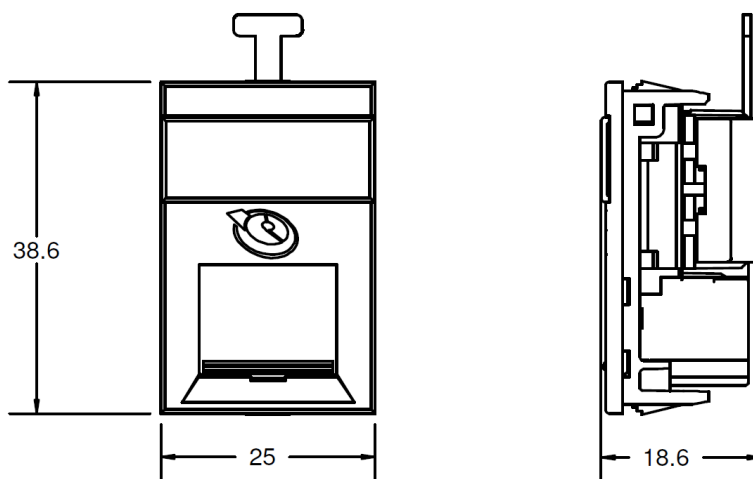
- New contact array design to give improved electrical performance
- Low profile outlet ideal when back-box depth is restricted
- Shielded and Unshielded versions available
- Remove-able label and cover for easy port identification
- Black and white version available
- Designed to fit floorbox aperture
- IDC protector cap for greater wire retention



## ORDER INFO

Brand-Rex Part Number	Item Description	Colour	Weight per Item (nom)	Qty per Pack
GPCSL06CUB03	GigaPlus 06C Slimline Outlet Unshielded B Wired	White	10g	12
GPCSL06CSB03	GigaPlus 06C Slimline Outlet Shielded B Wired	White	10g	12
GPCSL06CUB02	GigaPlus 06C Slimline Outlet Unshielded B Wired	Black	10g	12
GPCSL06CSB02	GigaPlus 06C Slimline Outlet Shielded B Wired	Black	10g	12

## PHYSICAL CHARACTERISTICS



## MATERIALS

---

- Array contacts manufactured out of 0.32mm Phosphor Bronze plated with a minimum of 50 micro inches of gold over 100 micro inches of nickel
- IDC contacts manufactured from phosphor bronze with a tin plating
- Front plate manufactured from high impact, ABS, UL rated to 94V-0

## ENVIRONMENTAL CONDITIONS

---

- Operating temperature from -10°C to 60°C at 93% relative humidity, non-condensing
- Storage temperature from -40°C to 70°C

## MECHANICAL SPECIFICATION

---

- Repeat plug insertions: >750 mating cycles with an IEC 60603-7 compliant plug  
Product tested to 2500 insertion cycles
- Wiring: T568 B wiring types

---

*“Brand-Rex is **dedicated** to **designing, developing and manufacturing** sustainable **high performance** structured cabling and speciality **cabling solutions**”*

The information contained in this document is valid and correct at the time of issue. Brand-Rex reserves the right to modify details without notice in light of subsequent standard/specification changes and ongoing technical developments.