

# GigaPlus Angled 062 Slimline Outlet

Datasheet: GD057614v4

**Brand-Rex** | a **LEVITON** company

## APPLICATION

Brand-Rex GigaPlus Angled 062 Screened and Unscreened Slimline outlet offers Category 5e component performance, is fully compatible with all Brand-Rex UK and Continental UNI style faceplates and products (50 x 25mm aperture), and is 24.5mm deep. Outlets are supplied with a colour code label for 568B standard wiring. The front plate has a light textured finish and can be supplied in either white or black.

Each module is supplied with a blank paper label size 8.0 x 24.5mm, for hand-written port identification, and a snap-on cover to protect it.

## FEATURES

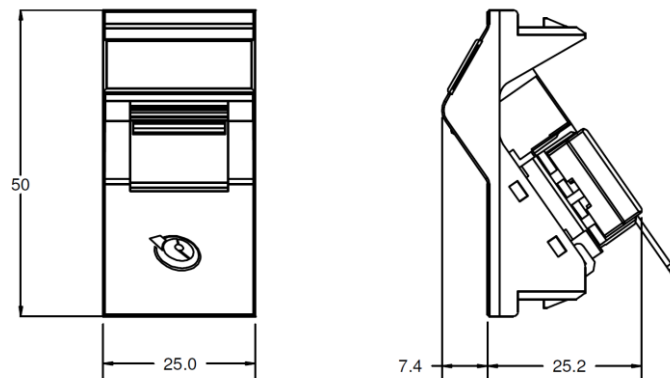
- New contact array design to give improved electrical performance
- Outlet is angled to reduce strain on patchcords
- Low Profile outlet ideal when back-box depth is restricted
- Shielded and Unshielded versions available
- Remove-able label and cover for easy port identification
- Black and White version available
- Fits standard UK style faceplate
- IDC protector cap for greater wire retention



## ORDER INFO

Brand-Rex Part Number	Item Description	Colour	Weight per Item (nom)	Qty per Pack
GPCSLA62UB03	GigaPlus Angled 062 Slimline Outlet Unshielded B Wired	White	15g	12
GPCSLA62SB03	GigaPlus Angled 062 Slimline Outlet Shielded B Wired	White	15g	12
GPCSLA62UB02	GigaPlus Angled 062 Slimline Outlet Unshielded B Wired	Black	15g	12
GPCSLA62SB02	GigaPlus Angled 062 Slimline Outlet Shielded B Wired	Black	15g	12

## PHYSICAL CHARACTERISTICS



## MATERIALS

- Array contacts manufactured out of 0.32mm Phosphor Bronze plated with a minimum of 50 micro inches of gold over 100 micro inches of nickel
- IDC contacts manufactured from phosphor bronze with a tin plating
- Front plate manufactured from high impact, ABS, UL rated to 94V-0

## ENVIRONMENTAL CONDITIONS

- Operating temperature from -10°C to 60°C at 93% relative humidity, non-condensing
- Storage temperature from -40°C to 70°C

## MECHANICAL SPECIFICATION

- Repeat plug insertions: >750 mating cycles with an IEC 60603-7 compliant plug  
Product tested to 2500 insertion cycles
- Wiring: T568 B wiring types

## COMPATIBILITY MATRIX

Catalogue Number	Description
MMCWDOUNI030	86 x 86mm Single Gang Faceplate, White
MMCWDOUNI031	86 x 147mm Double Gang Faceplate, White

Note: Compatible with standard UK style faceplate interface

*“Brand-Rex is **dedicated to designing, developing and manufacturing sustainable high performance structured cabling and speciality cabling solutions**”*

The information contained in this document is valid and correct at the time of issue. Brand-Rex reserves the right to modify details without notice in light of subsequent standard/specification changes and ongoing technical developments.