

# Angled Fibre Faceplate Modules, 50x50mm

Datasheet: GD068621v4

**Brand-Rex** | a **LEVITON** company

## APPLICATION

The Brand-Rex Fibre faceplate module has been designed around the existing 45 x 45 European styled Faceplate but, via the use of specially designed adaptor collar, is fully compatible with UK style 50 x 50 faceplates. The product has been designed for use in installation poles, wall trunking and back boxes. It is available with LC duplex, LC Quad and SC style adaptors in both MM and SM options.

Typically this item can be used in the installation of Fibre for Data-com and network installation in poles, floor boxes and wall trunking systems.

## FEATURES

- Colour Traffic White RAL 9016.
- Identification label with clear protective cover.
- Fully recyclable plastics used.
- Ergonomic, rigid and robust design.
- Shuttered Fibre Adaptors.
- 'Snap in' colour icons for ease of identification.



## ORDER INFO

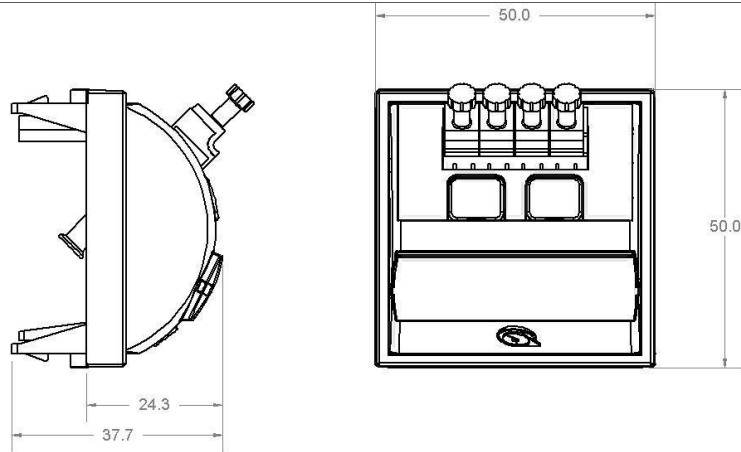
Brand-Rex Part Number	Item Description	Colour	Weight per Item (nom)	Qty per Pack
FPCANGLCMM3UK	Fibre Faceplate Module LC Duplex MM	White	25g	10
FPCANGLCSM3UK	Fibre Faceplate Module LC Duplex SM	White	25g	10
FPCANGL4MM3UK	Fibre Faceplate Module LC Quad MM	White	25g	10
FPCANGL4SM3UK	Fibre Faceplate Module LC Quad SM	White	25g	10
FPCANGDCMM3UK	Fibre Faceplate Module SC Duplex MM	White	25g	10
FPCANGDCSM3UK	Fibre Faceplate Module SC Duplex SM	White	25g	10
FPCANGALSM3UK	Fibre Faceplate Module LC, APC Duplex SM	White	25g	10
FPCANGADSM3UK	Fibre Faceplate Module SC, APC Duplex SM	White	25g	10

# Angled Fibre Faceplate Modules, 50x50mm

Datasheet: GD068621v4

**Brand-Rex** | a **LEVITON** company

## PHYSICAL CHARACTERISTICS



## MATERIALS

- Flame retardant ABS
- Clear Polycarbonate
- Flame retardant PBT
- Packaging fully recyclable card

## ENVIRONMENTAL CONDITIONS

- Operating temperature from -10°C to 60°C at 93% relative humidity, non-condensing
- Storage temperature from -40°C to 70°C

## PORT IDENTIFICATION LABELS

Colour	RAL Number
Signal Blue	RAL5005
Traffic Green	RAL6024
Traffic Yellow	RAL1023
Traffic Red	RAL3020
Pure White	RAL9016

*“Brand-Rex is dedicated to designing, developing and manufacturing sustainable high performance structured cabling and speciality cabling solutions”*

The information contained in this document is valid and correct at the time of issue. Brand-Rex reserves the right to modify details without notice in light of subsequent standard/specification changes and ongoing technical developments.