

# Cat6Plus Cat6 Un-Shielded Tool-Free Jack

Datasheet: GD070640v6

**Brand-Rex** | a **LEVITON** company

## APPLICATION

The Brand-Rex Category 6 unshielded Snap-In jack is part of the Brand-Rex **CAT6Plus** cabling system. The **CAT6Plus** cabling system is comprised of high performance cables and connectivity which not only provide a reliable platform for all of today's network applications, but is also designed to future-proof networks for the emerging, new, high speed protocols of tomorrow. Our **1 CAT6Plus** system is verified as an Category 6 and Class E solution set that is fully backwards compatible to with Cat5e (Class D) products. The jack is fully compatible with all our UK and Continental style faceplates and patch panel products.

## FEATURES

- Fast termination time
- Patented contact array providing standards compliance electrical performance
- Low contact insertion force guaranteeing tool free termination.
- Compact Design:
  - 16.3mm width
  - 32mm depth
- Colour coded contact array clearly distinguishes high performance 10GPlus and Cat6Plus jacks
- Rear, top or side entry cable configuration for maximum flexibility
- Tool-free re-termination.

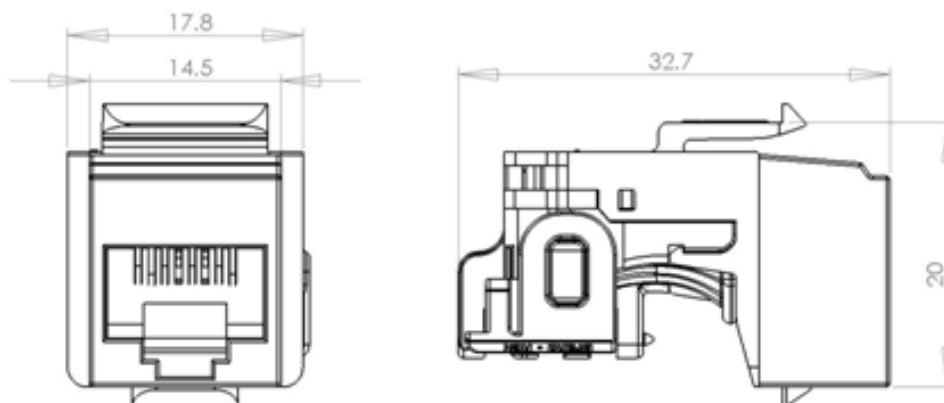


**C6CJAKU002**

## ORDER INFO

Brand-Rex Part Number	Item Description	Colour	Weight per Item (nom)	Qty per Pack
C6CJAKU002	Cat6Plus Cat6 Un-Shielded Tool-Free Snap-In Jack	Grey	15g	12

## PHYSICAL CHARACTERISTICS



## APPLICABLE PRODUCT STANDARDS

---

- ISO/IEC category: Category 6 performance connector for use in Class E cabling systems
- ISO/IEC 11801 ed 2.2 (2011)
- IEC 60603-7, 7-1, 7-41
- EIA/TIA 568C series: Category 6 performance

## ENVIRONMENTAL CONDITIONS

---

- Operating temperature from -10°C to 60°C at 93% relative humidity, non-condensing
- Storage temperature from -40°C to 70°C

## ELECTRICAL CHARACTERISTICS

---

- Voltage Proof: 1500V dc / ac peak
- Current-temperature derating: compliant with IEC 60603-7
- Contact Resistance: <20mΩ
- Insulation Resistance: >500MΩ
- Coupling attenuation: >61dB

## MECHANICAL SPECIFICATION

---

- IDC Contacts: Accept solid wires 24-22AWG
- Apertures: The product fits into 14.9mm x 19.8mm (WxH) cut outs with 1.5mm-1.6mm plate thickness.
- Repeat plug insertions: >750 mating cycles with an IEC 60603-7 compliant plug  
Product tested to 2500 insertion cycles
- Wiring: T568 A and B wiring types
- Contact Pins: Phosphor Bronze, Nickel Plated with selective gold plating (50micro-inch min) over contact area
- Note that each product pack contains a full installation instruction.

## REGULATIONS & COMPLIANCE

---

- RoHS 2011/65/EU Compliant

## COMPATIBILITY MATRIX

Catalogue Number	Description
MMCPNLX24SIJ*MIL	1RU 24-Port Modular Inline Snap-In Jack Panel with Management Bar
MMCPNLX24SIJ*	1RU 24-Port Modular Staggered Snap-In Jack Panel
MMCPNLX24SIJ*M-B	1RU 24-Port Modular Staggered Snap-In Jack Panel with Management Bar
MMCPNLX24SIJ2MAN	1RU 24-Port Modular Angled Snap-In Jack Panel with Management Bar
MMCPNLX24SIJ*DCI	1RU 24-Port Coloured Insert Snap-In Jack Panel
MMCPNLX48SIJ*	3RU 48-Port Modular Snap-In Jack Panel
49223-CBC	QuickPort In-Ceiling Bracket, includes clip for drop wire/rod mounting
49223-CB0	QuickPort In-Ceiling Bracket, no clip
4S089-2*P	QuickPort 2-Port Surface-Mount Box extended depth
4S089-4*P	QuickPort 4-Port Surface-Mount Box extended depth
MMCDINSIJS8	1-Port DIN Rail Snap-In Jack Module
MMCWDOUNI070	86 x 86 mm 1- Port Shuttered Faceplate
MMCWDOUNI071	86 x 86 mm 2- Port Shuttered Faceplate
MMCWDO06C001	25 x 38 mm Shuttered Floorbox Module
MMCANG06C3	25 x 38 mm Angled Shuttered Floorbox Module
MMCWDOUNI062	25 x 50 mm Shuttered Faceplate Module
MMCANG0623	25 x 50 mm Angled Faceplate Module
MMCANGLGS45002UK	50 x 50 mm 1-Port Angled Snap-In Jack Module
MMCANGLGD45002UK	50 x 50 mm 2-Port Angled Snap-In Jack Module
MMCUNILGS45001	1-Port Snap-In Jack Module
MMCUNILGD45001	2-Port Snap-In Jack Module
MMCANGLGS45002	1-Port Angled Snap-In Jack Module 45 x 45 mm
MMCANGLGD45002	2-Port Angled Snap-In Jack Module 45 x 45 mm
MMCANGDK1453	1-Port 50 x 50 mm German-style Snap-In Jack Module
MMCANGDK2453	2-Port 50 x 50 mm German-style Snap-In Jack Module
MMCUSSIJ2002LO	70 x 115 mm 2-Port Horizontal Faceplate with Brand-Rex logo
MMCUSSIJ3001LO	70 x 115 mm 3-Port Faceplate with Brand-Rex logo
MMCUSSIJ4001LO	70 x 115 mm 4-Port Faceplate with Brand-Rex logo
MMCUSSIJ4001LOICO	70 x 115 mm 4-Port Faceplate with Brand-Rex logo and options for icons
MMCUSSIJ6001LO	70 x 115 mm 6-Port Faceplate with Brand-Rex logo

*“Brand-Rex is **dedicated to designing, developing and manufacturing** sustainable **high performance** structured cabling and speciality **cabling solutions**”*

The information contained in this document is valid and correct at the time of issue. Brand-Rex reserves the right to modify details without notice in light of subsequent standard/specification changes and ongoing technical developments.