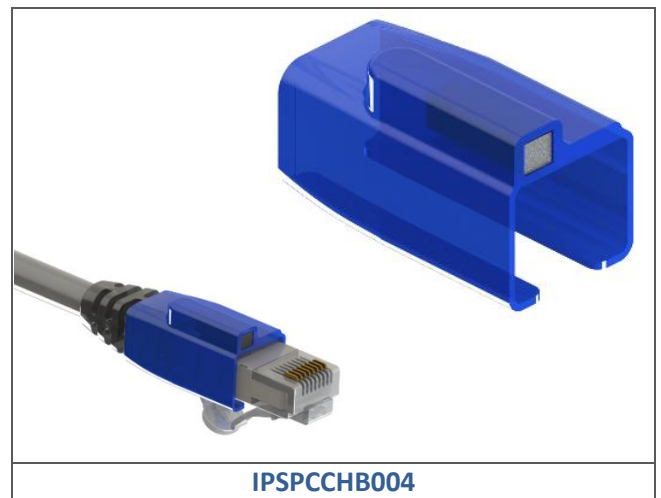


APPLICATION

The unique retrofit clip forms the key in connecting Brand-Rex RJ45 patch leads to the SmartPatch intelligent patching system. Designed around the Brand-Rex 10G RJ45 connector, these clips can be mounted on the RJ45 even if the patch leads connection is already established. The clips provide the system with intelligent information once programmed. Within the clip, a powerful unique RFID tag is integrated which can store addition information like, length, measurement reports, location, patching cycles etc.

FEATURES

- Retrofittable
- Integrated RFID transponder with contactless identification



ORDER INFO

Brand-Rex Part Number	Item Description	Colour	Weight per Item (nom)	Qty per Pack
IPSPCCHB004	SmartPatch Retrofit RFID RJ45 Clip	Blue	1g	48

RFID TRANSPONDER SPECIFICATIONS

- Type 13.56 MHz, read/write,
- Parts Supplied Factory un programmed
- Features Optionally programmable with additional information, e.g. type, length and colour of the cable
- Standards According to ISO 15693

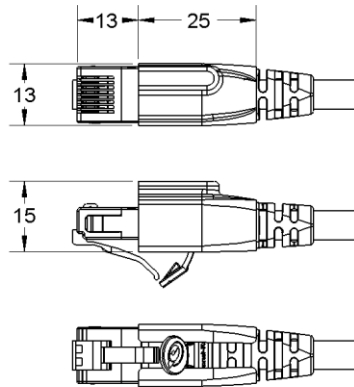
COMPATIBILITY

- Suitable for screened CAT6 & CAT6A Brand-Rex patch leads

ENVIRONMENTAL CONDITIONS

- Operating environment: 0°C to +55°C (+32 - +131°F)
- Operating relative humidity: 0 to 95%, non-condensing
- Operating elevation: 0 to 3,000 meters (0 to 10,000 feet)
- Storage temperature: -20°C to +85°C (-4°C to +185°F)
- Storage relative humidity: 0 to 95%, non-condensing
- Storage elevation: 0 to 15,000 meters (0 to 50,000 feet)

PHYSICAL CHARACTERISTICS



*“Brand-Rex is **dedicated to designing, developing and manufacturing** sustainable **high performance** structured cabling and speciality cabling solutions”*

The information contained in this document is valid and correct at the time of issue. Brand-Rex reserves the right to modify details without notice in light of subsequent standard/specification changes and ongoing technical developments.