

Foclsepmm002APPLICATION

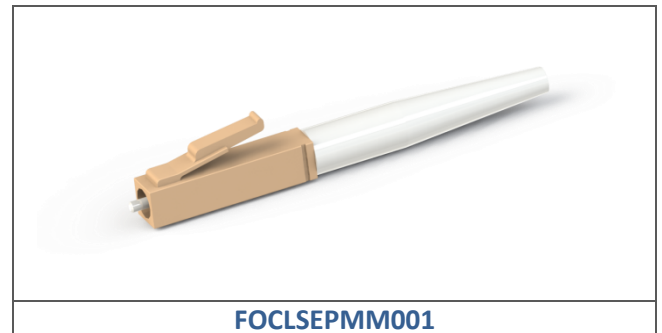
The Brand-Rex LC-compatible connector consists of a polymer inner and outer body, and a ceramic ferrule/crimp barrel assembly plus a crimp over sleeve and rubber boot. Refer to the diagram for nominal dimensional information.

The connector is precision made and manufactured to demanding specifications. The combination of a ceramic ferrule and precision polymer housing provides consistent long-term mechanical and optical performance.

Use of the duplex connector design ensures correct polarity of fibre pairs during patching operations.

FEATURES

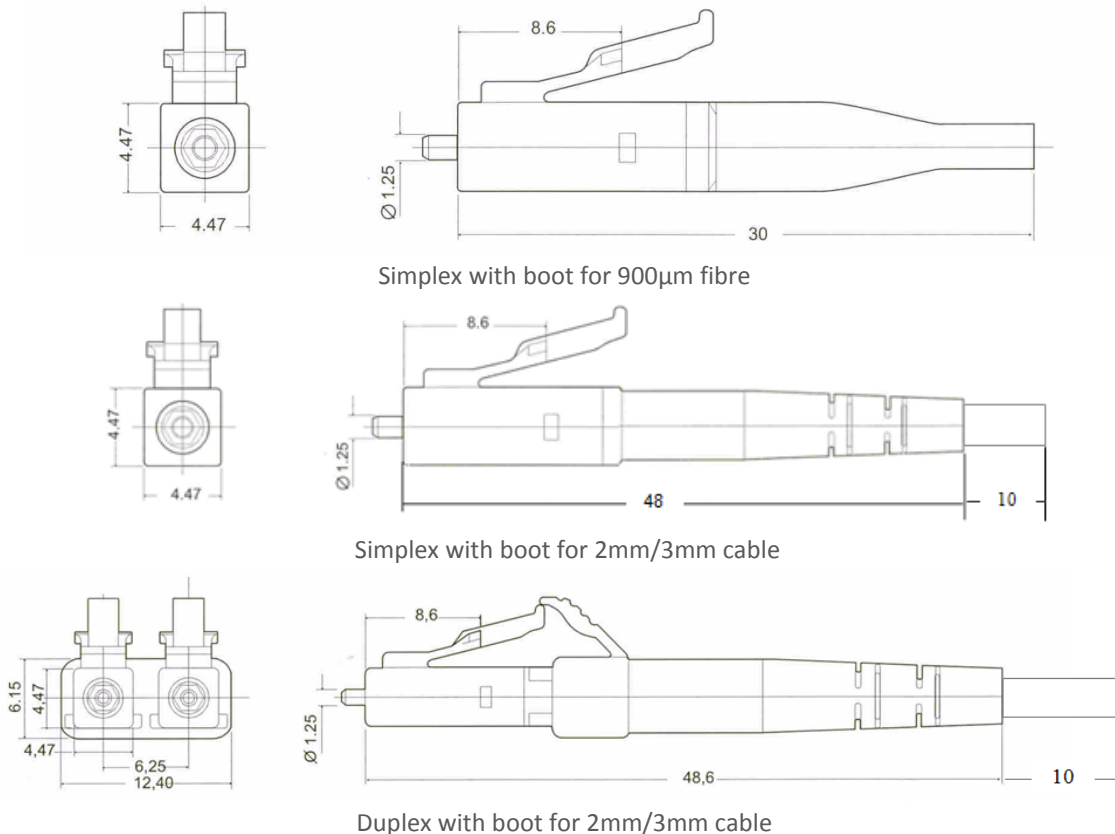
- Strong and robust design
- Reliable performance
- Consistent optical and mechanical performance
- White dust protection caps supplied as standard
- Singlemode and Multimode options available



ORDER INFO

Brand-Rex Part Number	Item Description	Colour	Qty per Pack
FOCLSEPSM001	LC Singlemode Simplex Connector c/w dust cap and boot for a 2mm cable	Blue	1
FOCALEPSM001	LC APC Singlemode Simplex Connector c/w dust cap and boot for a 2mm cable	Green	1
FOCLSEPSM002	LC Singlemode Simplex Connector c/w dust cap and boot for a 900µm cable	Blue	1
FOCALEPSM002	LC APC Singlemode Simplex Connector c/w dust cap and boot for a 900µm cable	Green	1
FOCLSEPMM001	LC Multimode Simplex Connector c/w dust cap and boot for a 2mm cable	Beige	1
FOCLSEPMM002	LC Multimode Simplex Connector c/w dust cap and boot for a 900µm cable	Beige	1
FOCLCEPSM001	LC Singlemode Duplex Connector c/w dust cap and boot for a 2mm cable	Blue	1
FOCLCEPMM001	LC Multimode Duplex Connector c/w dust cap and boot for a 2mm cable	Beige	1
FOCLCEPMM002	LC Multimode Duplex Connector c/w dust cap and boot for a 900µm cable	Beige	1
FOCLCEPMM003	LC Multimode Duplex Connector c/w dust cap and boot for a 3mm cable	Beige	1

PHYSICAL CHARACTERISTICS



Simplex with boot for 900µm fibre

Simplex with boot for 2mm/3mm cable

Duplex with boot for 2mm/3mm cable

MECHANICAL SPECIFICATION

- Singlemode:
 - Capillary diameter tolerance: 126 +1/-0 µm
 - Ferrule Diameter: 1.249mm ±0.0005
 - PC - Pre-radiused, PC-end finish for Physical Contact ferrule to ferrule R 10 to 25
- Multimode:
 - Capillary diameter tolerance: 127 +3/-0 µm
 - Ferrule Diameter: 1.248mm ±0.0014
 - PC - Pre-radiused, PC-end finish for Physical Contact ferrule to ferrule R 10 to 25
- APC Singlemode:
 - Capillary diameter tolerance: 126 +1/-0 µm
 - Ferrule Diameter: 1.248mm ±0.0005
 - APC Polished: 8°

BACK SHELL

- Cable Acceptance
 - Max. Diameter: 0.9mm buffered cable/ 2.0mm/3.0mm Tight Buffer Cable
 - Tensile Strength: > 5kg before pull out 2.0mm cable, >10kg before pull out 2.4-3.0mm cable

ENVIRONMENTAL (WHEN TERMINATED)

- Temperature Cycling: -40 to +75°C, 40 cycles (IEC 874-1 sec.4.5.22) ≤ 0.2dB Change
- High Temperature: 75°C for 2,000 hours (IEC 874-1 sec.4.5.18) 60°C at 95% RH, 96 hours (IEC 874-1 sec.4.5.19) ≤ 0.2dB Change
- Vibration (Mated Pair): 10-55 Hz, 1.5mm P to P (IEC 874-1 sec.4.5.1) ≤ 0.3dB Change
- Mating Durability: 1000 mating cycles (IEC 874-1 sec.4.5.32) Clean every 25 < 0.2 dB Change

OPERATING TEMPERATURE

- -40°C to +85°C (Check cable temp performance)

OPTICAL PERFORMANCE

- Singlemode:
 - Insertion loss: Max. 0.3 dB Typical 0.15 dB (IEC 874-1 method 7)
 - Return loss: < -45dB
- APC Singlemode:
 - Insertion loss: Max. 0.2 dB Typical 0.1 dB (IEC 874-1 method 7)
 - Return loss: < -60dB
- Multimode:
 - Insertion loss: Max. 0.5 dB Typical 0.2 dB (IEC 874-1 method 7)

INTERMATEABILITY

- Optically and mechanically compatible with all LC equivalent connectors compliant with ANSI/TIA604-10A-2002 (FOCIS-10)

CRIMP TOOL

- Standard .112" Hex Die hand tool

PRODUCT PACKAGING

- Each connector is packaged individually
- Each pack contains:
 - Simplex – 1x LC connector, 1x boot, 1x crimp ring (not included in 900µm pack), 1x heat shrink (not included in 900µm pack), 1x dust cap.
 - Duplex – Double of above with a duplex clip set, heat shrink supplied in white and yellow
- Bulk packaging also available

TERMINATION PROCEDURE

- Prep cable end, Epoxy-Crimp-Polish

*"Brand-Rex is **dedicated to designing, developing and manufacturing** sustainable **high performance** structured cabling and speciality **cabling solutions**"*

The information contained in this document is valid and correct at the time of issue. Brand-Rex reserves the right to modify details without notice in light of subsequent standard/specification changes and ongoing technical developments.